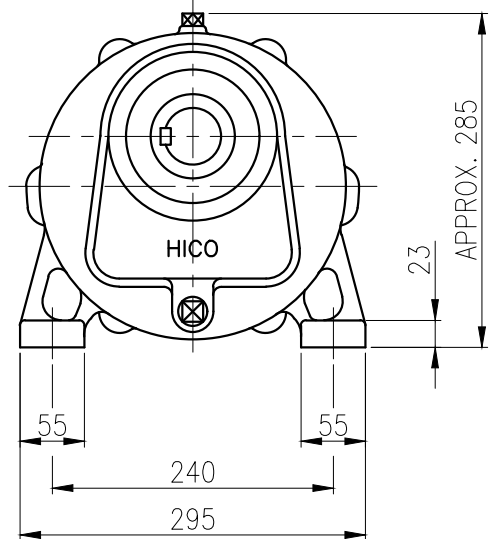
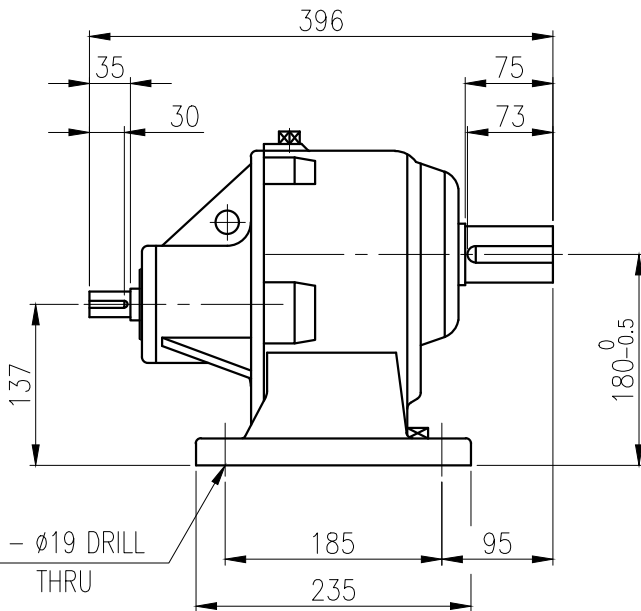
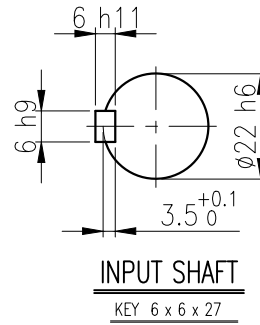
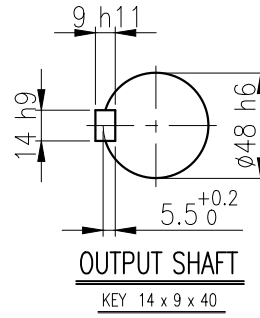
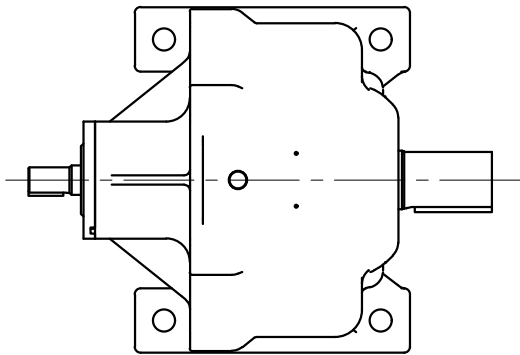


1	2	3	4	5				
No.	NAME	MATERIAL	DWG/MATL No.	CODE	Q'TY	SIZE	WEIGHT	REMARK
					0			



		BEARING		
		INPUT SHAFT	#6305ZZ #6305ZZ	
	OIL SEAL	2ND PINION	#6302ZZ #6304ZZ	GREASE : NLGI(EP)00
	MOTOR SHAFT D(M) 25x38x8	3RD PINION	#6305ZZ #6305ZZ	ABOUT 1.2 kg
	OUTPUT SHAFT D(M) 50x72x12	OUTPUT SHAFT	#6310ZZ #PM4020	WEIGHT 46 kg

		외형도 OUTLINE DIMENSION			
		DWG No. EK2DO07171H0001		UNIT	mm
				SCALE	1:1
No.	DATE	DESIGNED	CHECKED	REVIEWED	APPROVED
		2018.10.01	2018.10.01	2018.10.01	2018.10.01
		최성민	문병선	박희성	홍원철
DATE		2018-08-15		REVISION No.	01
DESCRIPTION of REVISION		THIRD ANGLE PROJECTION			
TYPE		REF. No.		(EN031)	
FCC_90Fr(1.5kW)_75~90:1_N type				(A)	

이 도면상에 표시된 정보는 호성중공업(주)의 소유이며 당사의 사전 서면동의 없이 무단사용을 금합니다.