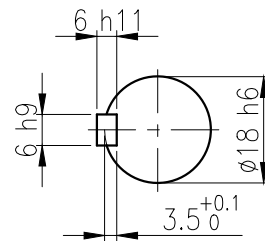


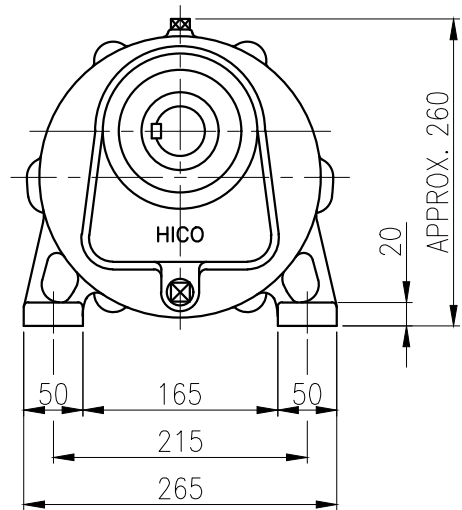
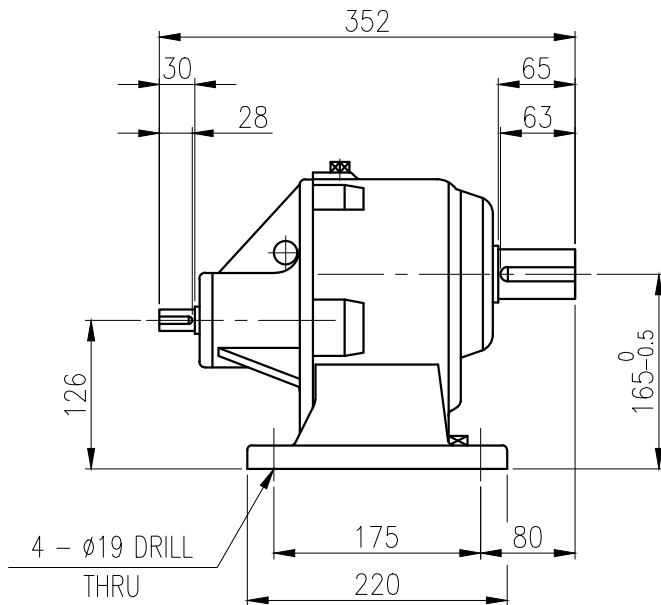
**OUTPUT SHAFT**

KEY 12 x 8 x 57



**INPUT SHAFT**

KEY 6 x 6 x 25



		BEARING	
	INPUT SHAFT	#6304ZZ	#6304ZZ
OIL SEAL	2ND PINION	#6302ZZ	#6303ZZ
MOTOR SHAFT D(M) 20x32x8	3RD PINION	#6303ZZ	#6305ZZ
OUTPUT SHAFT D(M) 45x68x12	OUTPUT SHAFT	#6309ZZ	#PM3020

GREASE : NLGI(EP)00  
ABOUT 0.8 kg  
WEIGHT 38 kg

DWG NAME		외형도 OUTLINE DIMENSION			
DWG No.		EK2D007167H0001		UNIT	mm
				SCALE	1:1
No.	DATE	DESIGNED	CHECKED	REVIEWED	APPROVED
		2018.10.01	2018.10.01	2018.10.01	2018.10.01
DESCRIPTION of REVISION		최성민	문병선	박희성	홍원철
TYPE		FCC_80Fr(0.75kW)_75~90:1_N type		DATE	2018-08-15
REF. No.		(EN029)		REVISION No.	01
				THIRD ANGLE PROJECTION	
				(A)	

A4(210x297mm)  
FORM  
CE-14-0100-4A4  
2013.11.20

**HYOSUNG HEAVY INDUSTRIES**