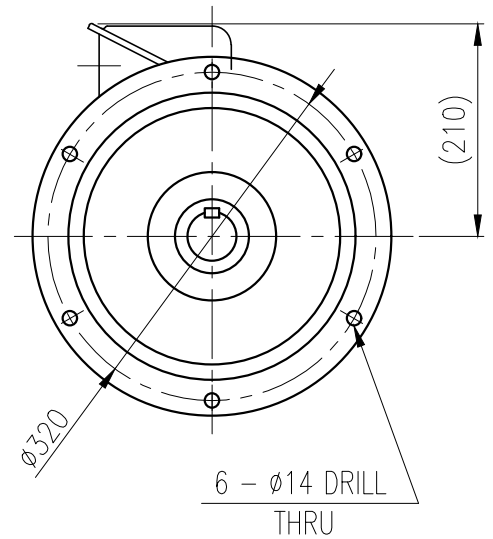
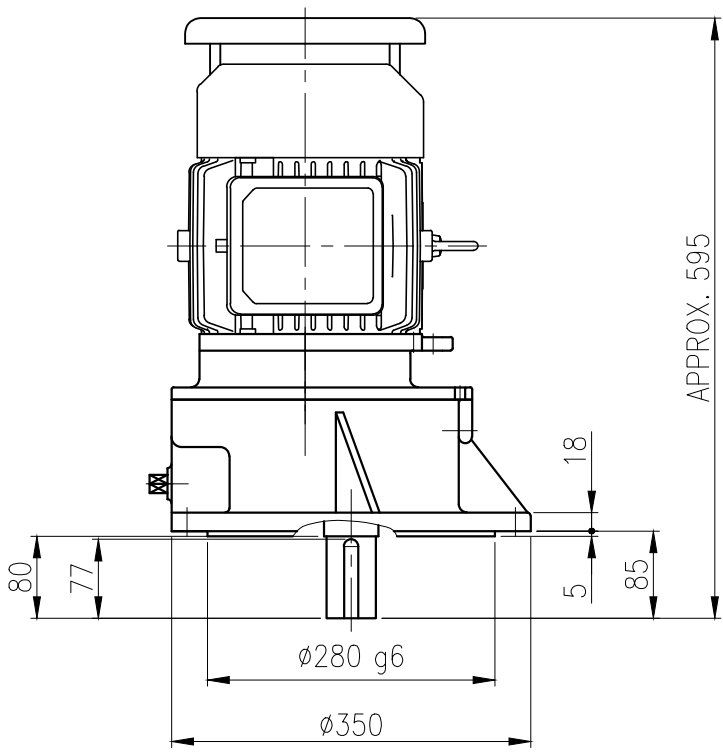
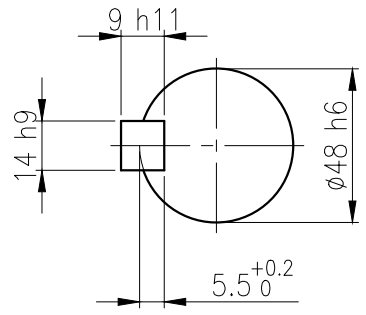
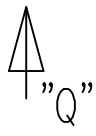


1	2	3	4	5				
No.	NAME	MATERIAL	DWG/MATL No.	CODE	Q'TY	SIZE	WEIGHT	REMARK
					0			



VIEW "Q"



OUTPUT SHAFT

KEY 14 x 9 x 70

		BEARING		
OIL SEAL		INPUT SHAFT	#6206ZZ #6307ZZ	
MOTOR SHAFT D(M) 28 x 40 x 8		2ND PINION	#6306ZZ #6305ZZ	GREASE : NLGI(EP)00
OUTPUT SHAFT D(M) 50 x 72 x 12		3RD PINION	- -	ABOUT 0.6 kg
		OUTPUT SHAFT	#6210ZZ #PM4020	WEIGHT 93 kg

		외형도 OUTLINE DIMENSION				DWG NAME			
		DWG No. EK2DO07161W0001				UNIT	mm		
		SCALE				1:1			
No.	DATE	DESCRIPTION of REVISION		DESIGNED	CHECKED	REVIEWED	APPROVED	DATE	2018-08-15
A4(210x297mm)	FORM CE-14-0100-444 2013.11.20			2018.10.01	2018.10.01	2018.10.01	2018.10.01	REVISION No.	01
TYPE				FVB_112Fr(3.7kW)_5~20:1_N type		최성민	문병선	박희성	홍원철
		REF. No.		(EN019)					

The information written in this drawing is HYOSUNG HEAVY INDUSTRIES's property, and may not be disclosed and/or reproduced without the prior official permission of HYOSUNG HEAVY INDUSTRIES Corp.

이 도면상에 표시된 정보는 호성중공업(주)의 소유이며 당사의 사전 서면동의 없이 무단사용을 금합니다.