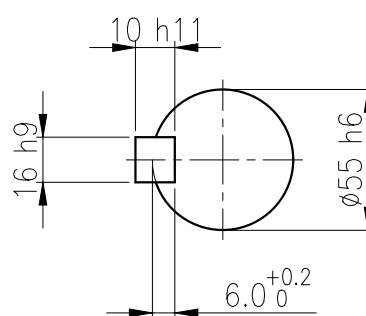
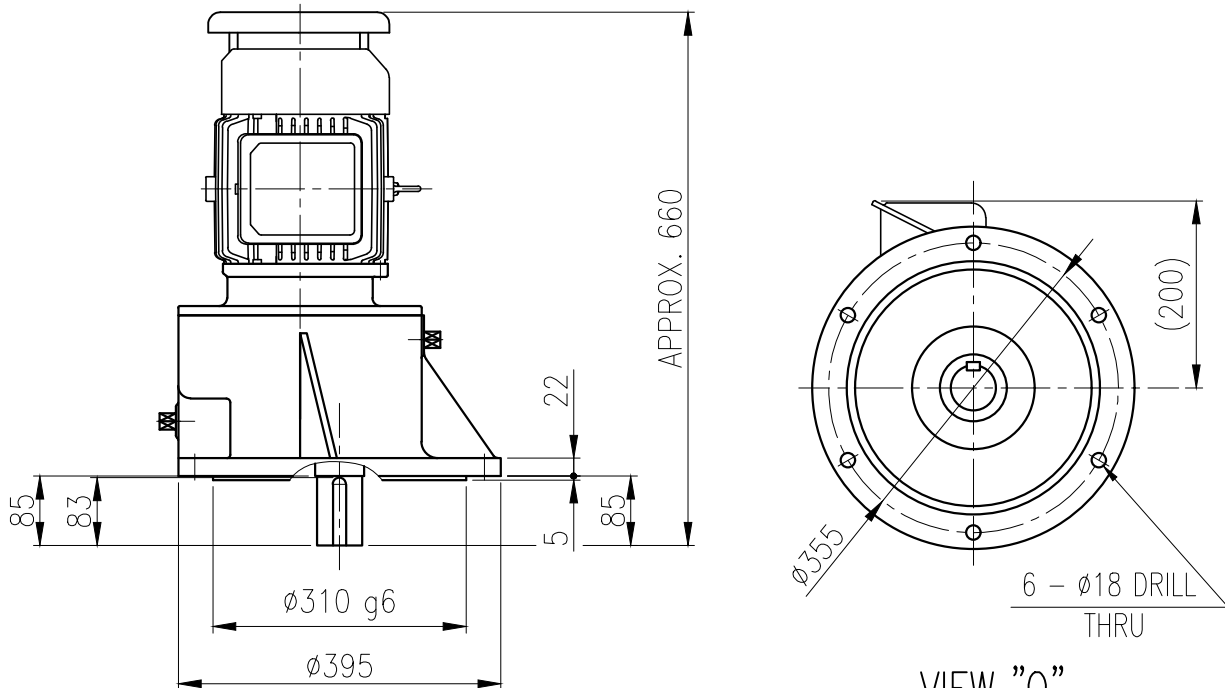


1	2	3	4	5				
No.	NAME	MATERIAL	DWG/MATL No.	CODE	Q'TY	SIZE	WEIGHT	REMARK
					0			



**OUTPUT SHAFT**  
KEY 16 x 10 x 75

		BEARING			
OIL SEAL		INPUT SHAFT	#6205ZZ	#6306ZZ	
MOTOR SHAFT	D(M) 22 x 35 x 8	2ND PINION	#6304ZZ	#6305ZZ	GREASE : NLGI(EP)00
OUTPUT SHAFT	D(M) 60 x 82 x 12	3RD PINION	#6306ZZ	#5305ZZ	ABOUT 1.8 kg
		OUTPUT SHAFT	#6312ZZ	#PM4020	WEIGHT 109 kg

		DWG NAME				외형도 OUTLINE DIMENSION	
		DWG No. <b>EK2D007160W0001</b>				UNIT	mm
						SCALE	1:1
No.	DATE	DESIGNER		DESIGNED	CHECKED	REVIEWED	APPROVED
		DESCRIPTION of REVISION		2018.10.01	2018.10.01	2018.10.01	2018.10.01
				최성민	문병선	박희성	홍원철
A4(210X297mm)		FORM		DATE		2018-08-15	
CE-14-0100-444		HYOSUNG HEAVY INDUSTRIES		REVISION No.		01	
2013.11.20		TYPE		THIRD ANGLE PROJECTION			
		FVC_100Fr(2.2kW)_75~90:1_N type		REF. No.		(EN216)	
						A	

The information written in this drawing is HYOSUNG HEAVY INDUSTRIES's property, and may not be disclosed and/or reproduced without the prior official permission of HYOSUNG HEAVY INDUSTRIES Corp.

이 도면상에 표시된 정보는 호성중공업(주)의 소유이며 당사의 사전 서면동의 없이 무단사용을 금합니다.