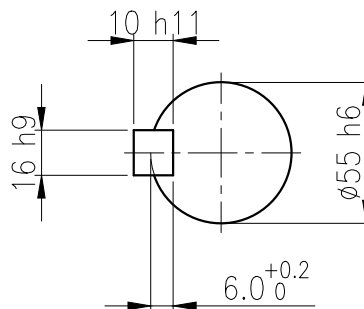
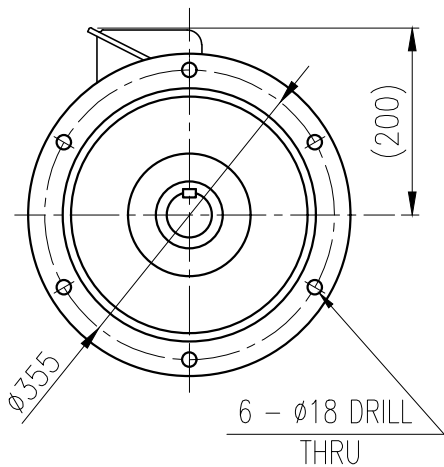
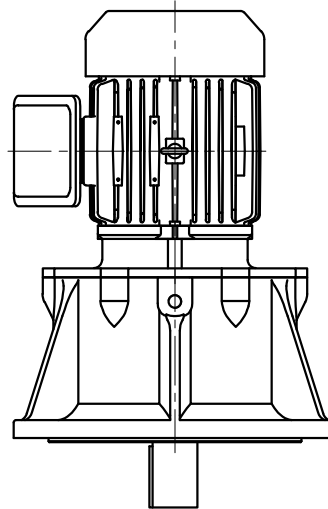
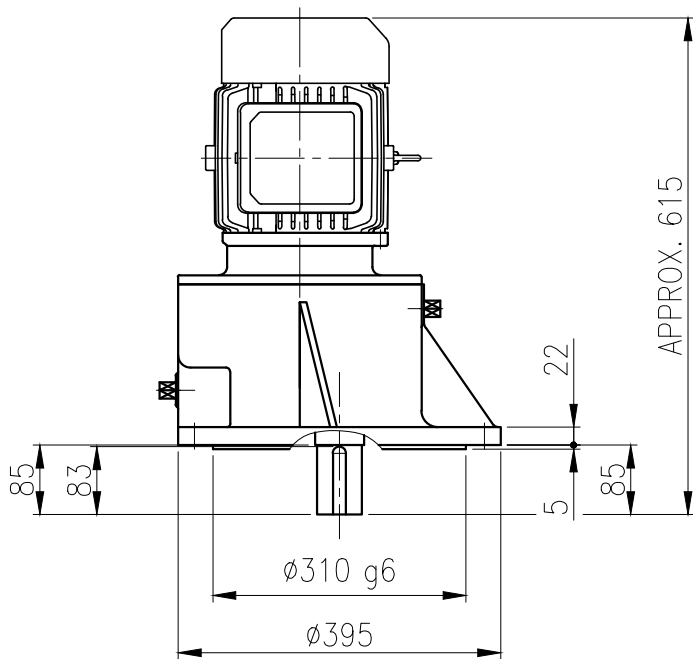


1	2	3	4	5				
No.	NAME	MATERIAL	DWG/MATL No.	CODE	Q'TY	SIZE	WEIGHT	REMARK
					0			



OUTPUT SHAFT

KEY 16 x 10 x 75

		BEARING			
OIL SEAL		INPUT SHAFT	#6205ZZ #6306ZZ		
MOTOR SHAFT D(M) 22 x 35 x 8		2ND PINION	#6304ZZ #6305ZZ	GREASE : NLGI(EP)00	
OUTPUT SHAFT D(M) 60 x 82 x 12		3RD PINION	#6306ZZ #5305ZZ	ABOUT 1.8 kg	
		OUTPUT SHAFT	#6312ZZ #PM4020	WEIGHT 109 kg	

		DWG NAME				외형도 OUTLINE DIMENSION			
		DWG No. EK2DO07160H0001		UNIT	mm				
				SCALE	1:1				
No.	DATE	DESCRIPTION of REVISION		DESIGNED	CHECKED	REVIEWED	APPROVED	DATE	2018-08-15
A4(210X297mm)	FORM CE-14-0100-444 2013.11.20			2018.10.01 최성민	2018.10.01 문병선	2018.10.01 박희성	2018.10.01 홍원철	REVISION No.	01
TYPE				FVC_100Fr(2.2kW)_75~90:1_N type		REF. No.	(EN216)		THIRD ANGLE PROJECTION
								(A)	