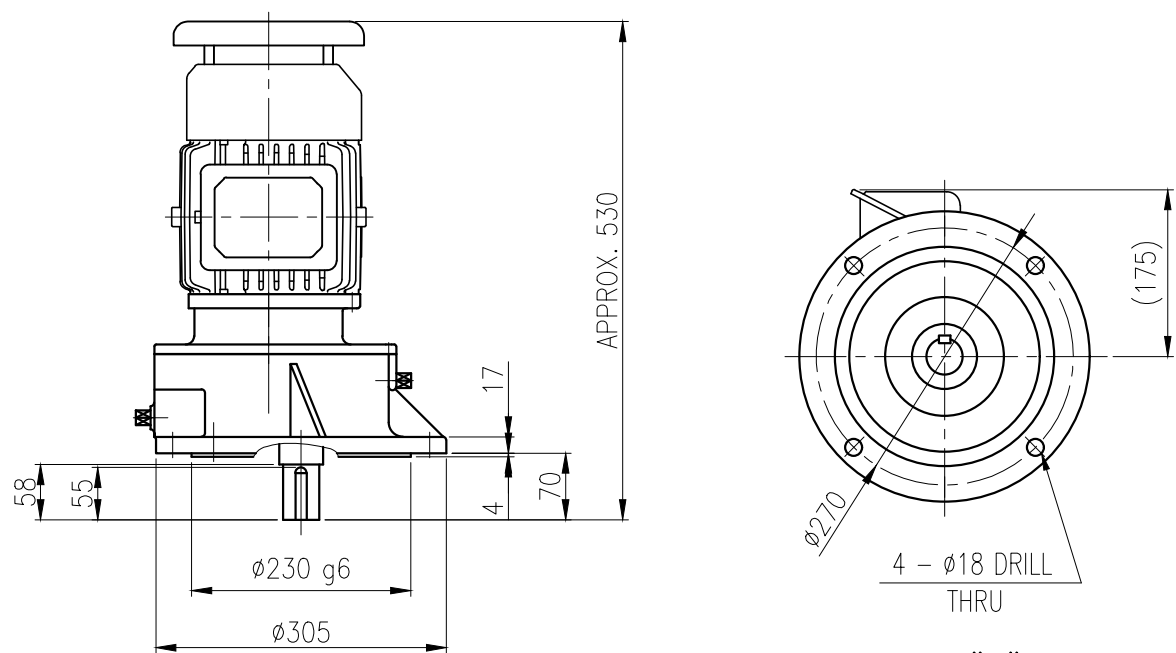
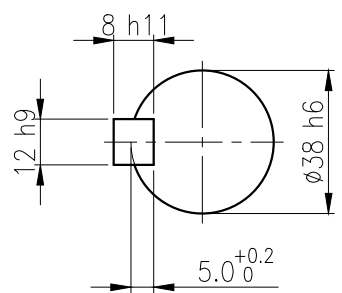


1	2	3	4	5				
No.	NAME	MATERIAL	DWG/MATL No.	CODE	Q'TY	SIZE	WEIGHT	REMARK
					0			



↑
"Q"



OUTPUT SHAFT
KEY 12 x 8 x 49

		BEARING			
		INPUT SHAFT	#6204ZZ	#6305ZZ	
OIL SEAL		2ND PINION	#6304ZZ	#6305ZZ	GREASE : NLGI(EP)00
MOTOR SHAFT	D(M) 22 x 35 x 8	3RD PINION	-	-	ABOUT 0.3 kg
OUTPUT SHAFT	D(M) 45 x 68 x 12	OUTPUT SHAFT	#6209ZZ	#PM3020	WEIGHT 58 kg

		DWG NAME				외형도 OUTLINE DIMENSION	
		DWG No.		EK2DO07155W0001		UNIT	mm
						SCALE	1:1
No.	DATE	DESCRIPTION of REVISION		DESIGNED	CHECKED	REVIEWED	APPROVED
				2018.10.01	2018.10.01	2018.10.01	2018.10.01
				최성민	문병선	박희성	홍원철
A4(210X297mm)		FORM				DATE	2018-08-15
CE-14-0100-444		2013.11.20				REVISION No.	01
		HYOSUNG HEAVY INDUSTRIES				THIRD ANGLE PROJECTION	
TYPE		FVB_90Fr(1.5kW)_30:1_N type		REF. No.		(EN015)	
						(A)	

The information written in this drawing is HYOSUNG HEAVY INDUSTRIES's property, and may not be disclosed and/or reproduced without the prior official permission of HYOSUNG HEAVY INDUSTRIES Corp.

이 도면상에 표시된 정보는 호성중공업(주)의 소유이며 당사의 사전 서면동의 없이 무단사용을 금합니다.