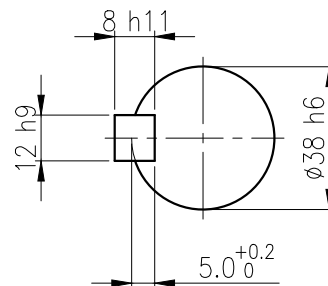
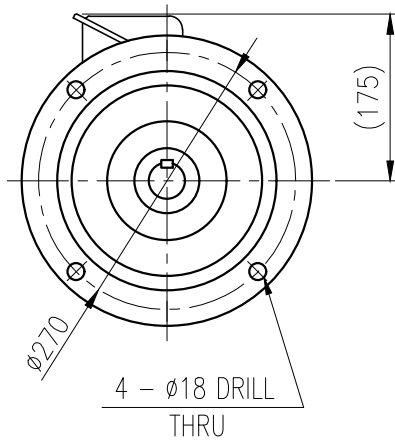
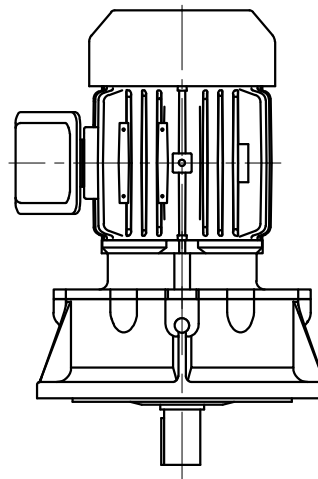
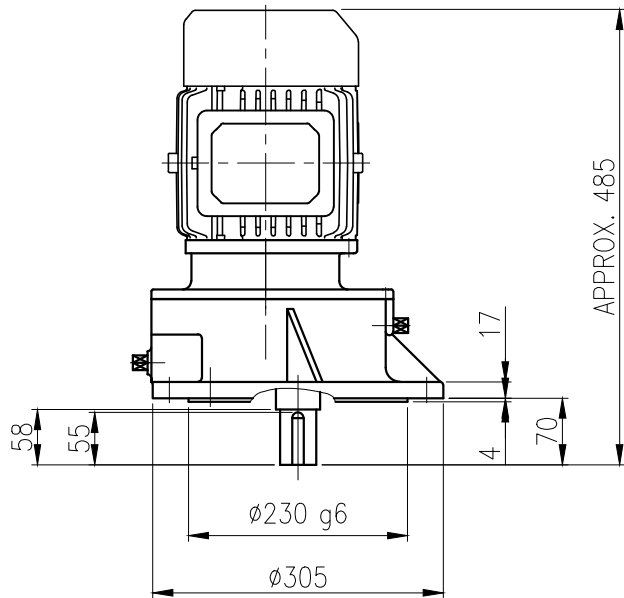


1	2	3	4	5				
No.	NAME	MATERIAL	DWG/MATL No.	CODE	Q'TY	SIZE	WEIGHT	REMARK
					0			



OUTPUT SHAFT
KEY 12 x 8 x 49

		BEARING			
OIL SEAL		INPUT SHAFT	#6204ZZ #6305ZZ		
		2ND PINION	#6304ZZ #6305ZZ	GREASE : NLGI(EP)00	
MOTOR SHAFT	D(M) 22 x 35 x 8	3RD PINION	-	ABOUT	0.3 kg
OUTPUT SHAFT	D(M) 45 x 68 x 12	OUTPUT SHAFT	#6209ZZ #PM3020	WEIGHT	58 kg

		외형도 OUTLINE DIMENSION				DWG NAME	
		EYK2DO07155H0001				UNIT	mm
						SCALE	1:1
No.	DATE	DESIGNER		DESIGNED	CHECKED	REVIEWED	APPROVED
		DESCRIPTION of REVISION		2018.10.01	2018.10.01	2018.10.01	2018.10.01
A4(210X297mm)		FORM		최성민	문병선	박희성	홍원철
CE-14-0100-444		HYOSUNG HEAVY INDUSTRIES		DATE 2018-08-15			
2013.11.20		TYPE		REVISION No. 01			
		FVB_90Fr(1.5kW)_30:1_N type		THIRD ANGLE PROJECTION			
		REF. No.		(EN015)			
				A			

이 도면상에 표시된 정보는 호성중공업(주)의 소유이며 당사의 사전 서면동의 없이 무단사용을 금합니다.