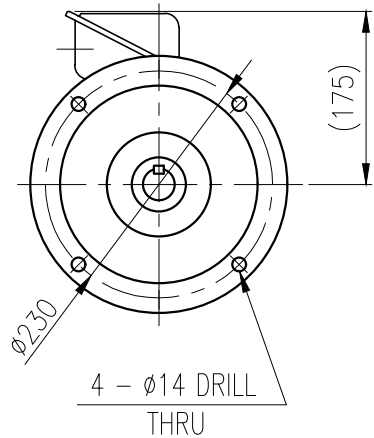
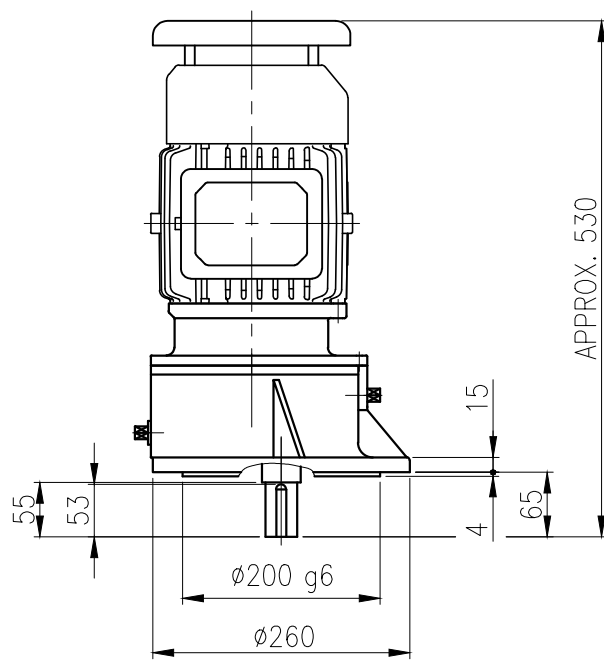
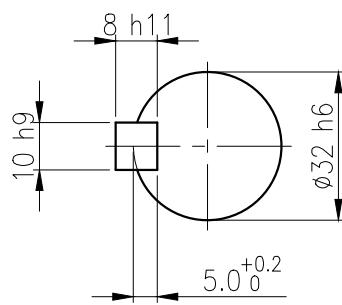


1	2	3	4	5
No.	NAME	MATERIAL	DWG/MATL No.	CODE Q'TY
				0
				SIZE
				WEIGHT
				REMARK



VIEW "Q"



OUTPUT SHAFT

KEY 10 x 8 x 48

		BEARING		
OIL SEAL		INPUT SHAFT	#6204ZZ #6305ZZ	
MOTOR SHAFT D(M) 22 x 35 x 8		2ND PINION	#6302ZZ #6304ZZ	GREASE : NLGI(EP)00
OUTPUT SHAFT D(M) 35 x 55 x 11		3RD PINION	- -	ABOUT 0.3 kg
		OUTPUT SHAFT	#6307ZZ #PM2025	WEIGHT 50 kg

		외형도 OUTLINE DIMENSION			
		DWG No. EK2DO07154W0001		UNIT	mm
				SCALE	1:1
No.	DATE	DESCRIPTION of REVISION		DESIGNED	CHECKED
				2018.10.01	2018.10.01
				최성민	문병선
				2018.10.01	2018.10.01
				박희성	홍원철
				DATE	2018-08-15
				REVISION No.	01
				THIRD ANGLE PROJECTION	
				REF. No.	(EN014)
				(A)	



TYPE FVB_90Fr(1.5kW)_5~20:1_N type

이 도면상에 표시된 정보는 호성중공업(주)의 소유이며 당사의 사전 서면동의 없이 무단사용을 금합니다.