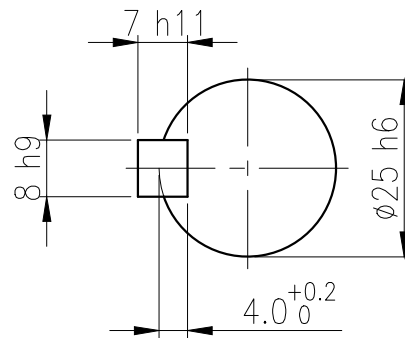
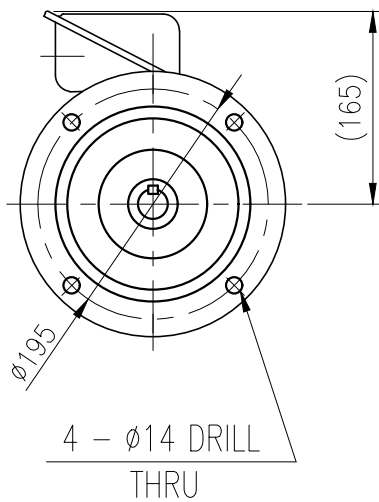
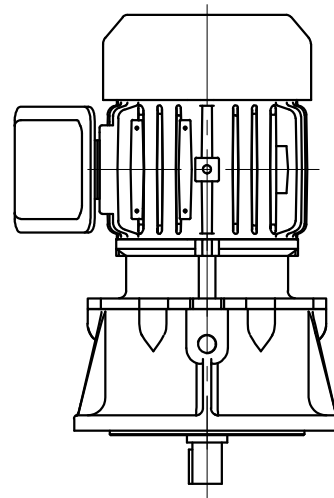
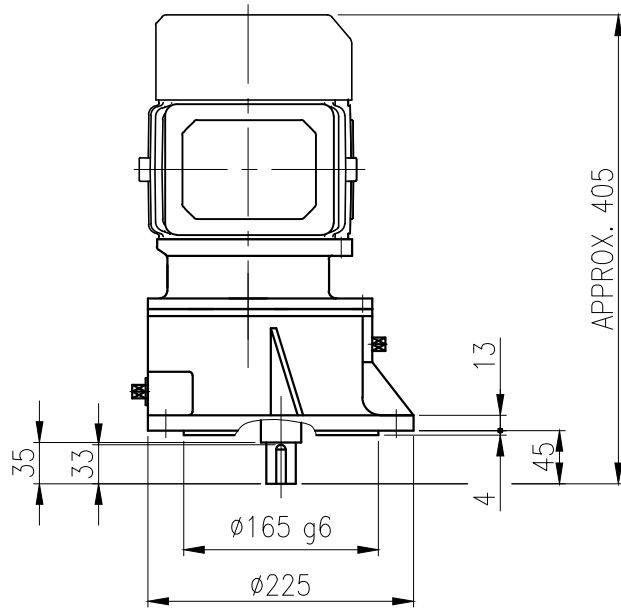


1	2	3	4	5				
No.	NAME	MATERIAL	DWG/MATL No.	CODE	Q'TY	SIZE	WEIGHT	REMARK
					0			



**OUTPUT SHAFT**  
KEY 8 x 7 x 29

		BEARING			
OIL SEAL		INPUT SHAFT	#6203ZZ	#6205ZZ	
MOTOR SHAFT		2ND PINION	#6302ZZ	#6303ZZ	GREASE : NLGI(EP)00
D(M) 20 x 32 x 8		3RD PINION	-	-	ABOUT 0.25 kg
OUTPUT SHAFT		OUTPUT SHAFT	#6306ZZ	#PM2015	WEIGHT 35 kg
D(M) 30 x 42 x 8					

		DWG NAME				외형도 OUTLINE DIMENSION	
		DWG No. <b>EK2DO07150H0001</b>				UNIT	mm
						SCALE	1:1
No.	DATE	DESIGNER		DESIGNED	CHECKED	REVIEWED	APPROVED
		DESCRIPTION of REVISION		2018.10.01	2018.10.01	2018.10.01	2018.10.01
A4(210x297mm)		FORM		최성민	문병선	박희성	홍원철
CE-14-0100-444		DATE		2013.11.20		DATE 2018-08-15	
2013.11.20		HYOSUNG HEAVY INDUSTRIES		REVISION No. 01		THIRD ANGLE PROJECTION	
TYPE		FVB_80Fr(0.4&0.75kW)_5~20:1_N type		REF. No.		(EN011)	
						A	

이 도면상에 표시된 정보는 호성중공업(주)의 소유이며 당사의 사전 서면동의 없이 무단사용을 금합니다.