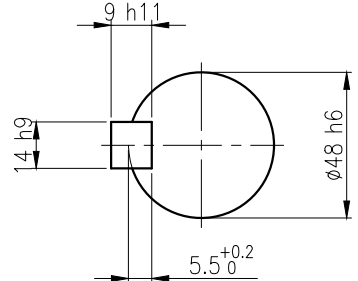
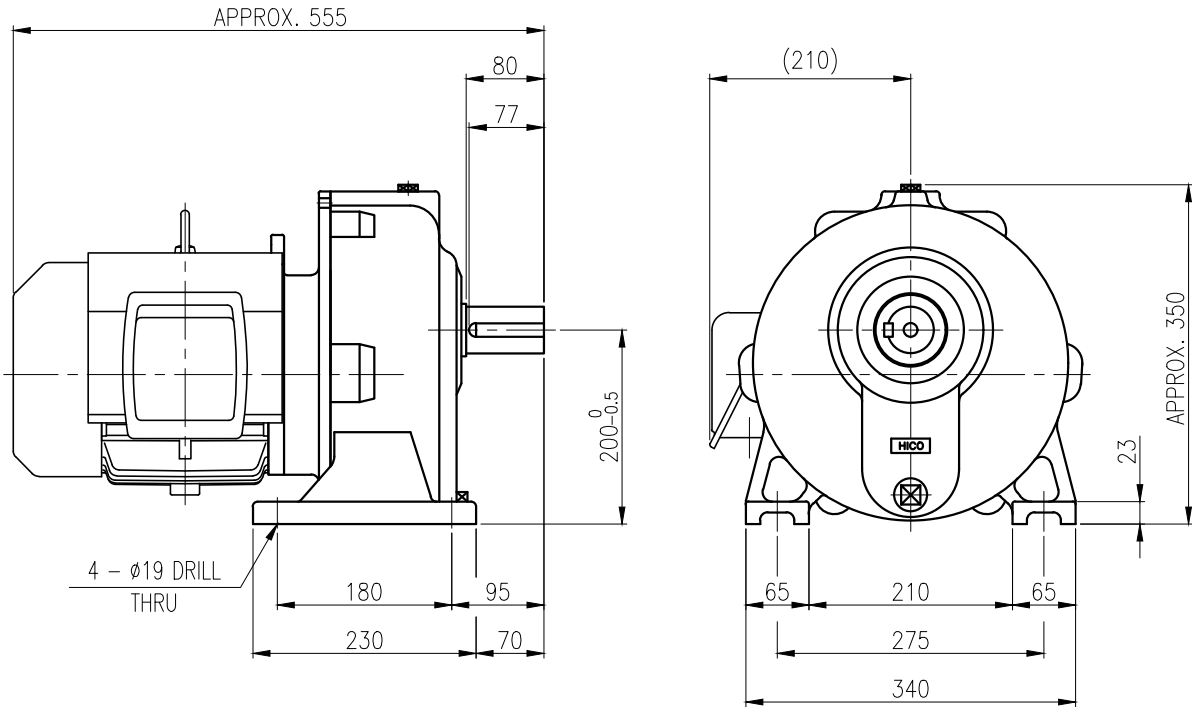


1	2	3	4	5				
No.	NAME	MATERIAL	DWG/MATL No.	CODE	Q'TY	SIZE	WEIGHT	REMARK
					0			



OUTPUT SHAFT
KEY 14 x 9 x 70

		BEARING		
OIL SEAL		INPUT SHAFT	#6206ZZ #6307ZZ	
MOTOR SHAFT D(M) 28 x 40 x 8		2ND PINION	#6306ZZ #6306ZZ	GREASE : NLGI(EP)00
OUTPUT SHAFT D(M) 50 x 72 x 12		3RD PINION	- -	ABOUT 0.8 kg
		OUTPUT SHAFT	#6210ZZ #PM4020	WEIGHT 102 kg

		외형도 OUTLINE DIMENSION				DWG NAME	
		DWG No. EK2DO07148W0001				UNIT	mm
		SCALE				1:1	
No.	DATE	DESIGNER		DESIGNED	CHECKED	REVIEWED	APPROVED
		DESCRIPTION of REVISION		2018.10.01	2018.10.01	2018.10.01	2018.10.01
A4(210X297mm)		FORM		최성민	문병선	박희성	홍원철
CE-14-0100-444		DATE		2018-08-15		REVISION No. 01	
2013.11.20		DATE		THIRD ANGLE PROJECTION			
HYOSUNG HEAVY INDUSTRIES		TYPE		REF. No.		(EN010)	
		FHB_112Fr(3.7kW)_30:1_N type				A	

The information written in this drawing is HYOSUNG HEAVY INDUSTRIES's property, and may not be disclosed and/or reproduced without the prior official permission of HYOSUNG HEAVY INDUSTRIES Corp.

이 도면상에 표시된 정보는 호성중공업(주)의 소유이며 당사의 사전 서면동의 없이 무단사용을 금합니다.