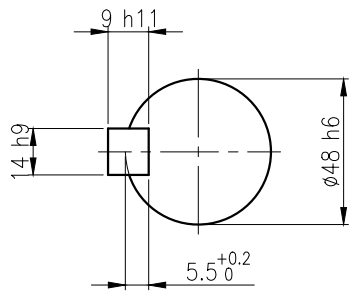
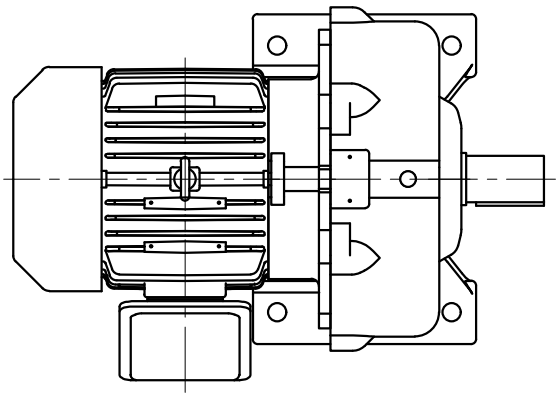
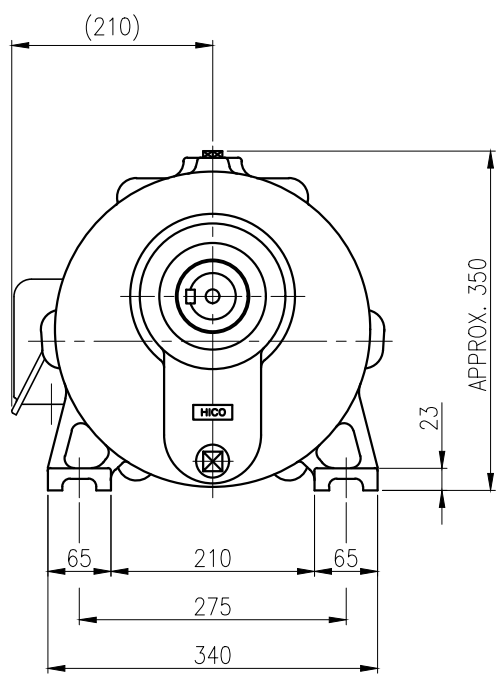
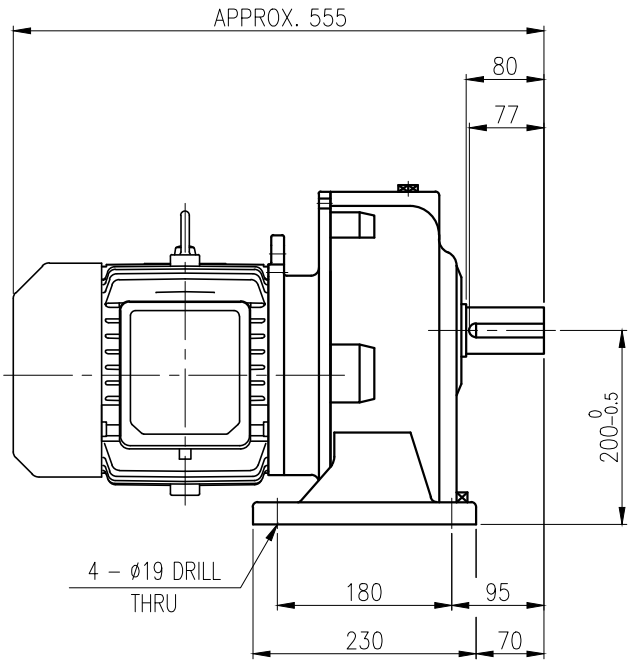


1	2	3	4	5				
No.	NAME	MATERIAL	DWG/MATL No.	CODE	Q'TY	SIZE	WEIGHT	REMARK
					0			



**OUTPUT SHAFT**  
KEY 14 x 9 x 70



		BEARING		
OIL SEAL		INPUT SHAFT	#6206ZZ #6307ZZ	
MOTOR SHAFT	D(M) 28 x 40 x 8	2ND PINION	#6306ZZ #6306ZZ	GREASE : NLGI(EP)00
OUTPUT SHAFT	D(M) 50 x 72 x 12	3RD PINION	-	ABOUT 0.8 kg
		OUTPUT SHAFT	#6210ZZ #PM4020	WEIGHT 102 kg

		외형도 OUTLINE DIMENSION				DWG NAME	
		DWG No. <b>EK2DO07148H0001</b>				UNIT	mm
						SCALE	1:1
No.	DATE	DESCRIPTION of REVISION		DESIGNED	CHECKED	REVIEWED	APPROVED
A4(210X297mm)	FORM CE-14-0100-444 2013.11.20			2018.10.01 최성민	2018.10.01 문병선	2018.10.01 박희성	2018.10.01 홍원철
TYPE				FHB_112Fr(3.7kW)_30:1_N type		DATE	2018-08-15
				REVISION No.	01		THIRD ANGLE PROJECTION
				REF. No.	(EN010)		(A)

이 도면상에 표시된 정보는 호성중공업(주)의 소유이며 당사의 사전 서면동의 없이 무단사용을 금합니다.