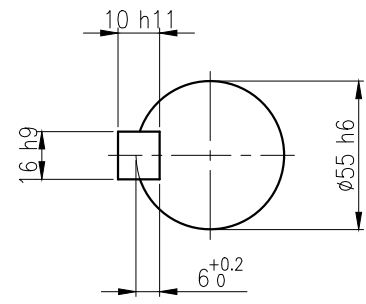
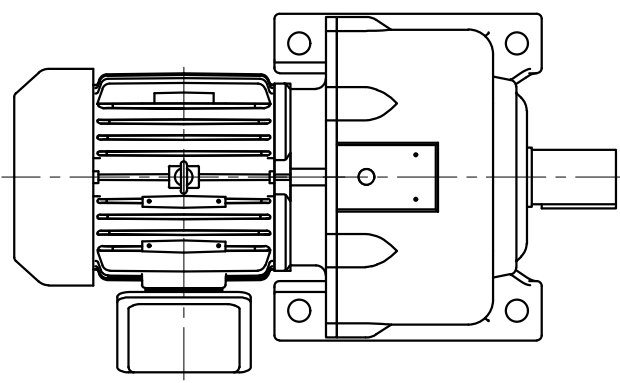
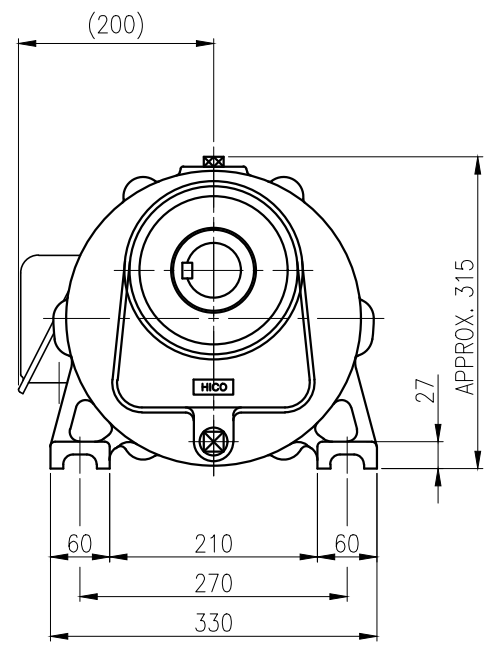
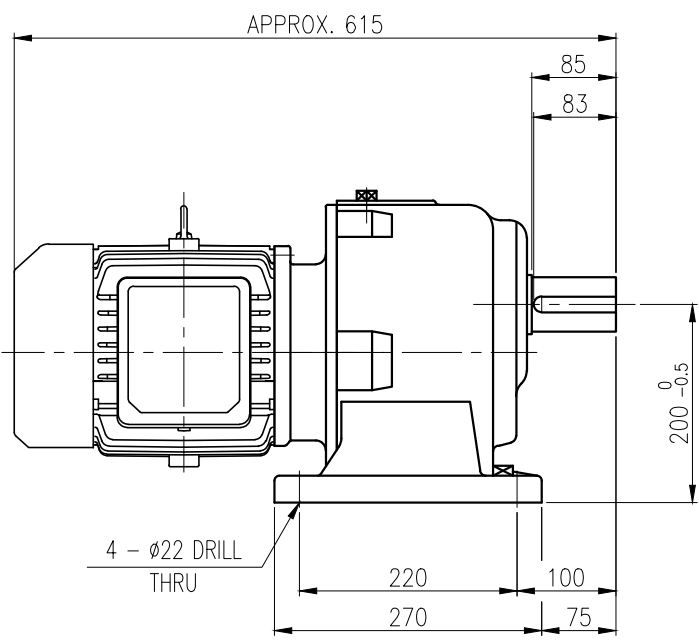


1	2	3	4	5				
No.	NAME	MATERIAL	DWG/MATL No.	CODE	Q'TY	SIZE	WEIGHT	REMARK
					0			



OUTPUT SHAFT
KEY 16 x 10 x 75



		BEARING			
OIL SEAL		INPUT SHAFT	#6205ZZ	#6306ZZ	
		2ND PINION	#6304ZZ	#6305ZZ	GREASE : NLGI(EP)00
MOTOR SHAFT	D(M) 22 x 35 x 8	3RD PINION	#6306ZZ	#5305ZZ	ABOUT 1.8 kg
OUTPUT SHAFT	D(M) 60 x 82 x 12	OUTPUT SHAFT	#6312ZZ	#PM4020	WEIGHT 115 kg

		외형도 OUTLINE DIMENSION				DWG NAME			
		DWG No. EK2DO07146H0001				UNIT	mm		
						SCALE	1:1		
No.	DATE	DESIGNER		DESIGNED	CHECKED	REVIEWED	APPROVED	DATE	2018-08-15
A4(210x297mm)	FORM CE-14-0100-444 2013.11.20	HYOSUNG HEAVY INDUSTRIES		2018.10.01 최성민	2018.10.01 문병선	2018.10.01 박희성	2018.10.01 홍원철	REVISION No.	01
TYPE		FHC_100Fr(2.2kW)_75~90:1_N type		THIRD ANGLE PROJECTION					
		REF. No.		(EN203)				A	

The information written in this drawing is HYOSUNG HEAVY INDUSTRIES's property, and may not be disclosed and/or reproduced without the prior official permission of HYOSUNG HEAVY INDUSTRIES Corp.

이 도면상에 표시된 정보는 호성중공업(주)의 소유이며 당사의 사전 서면동의 없이 무단사용을 금합니다.