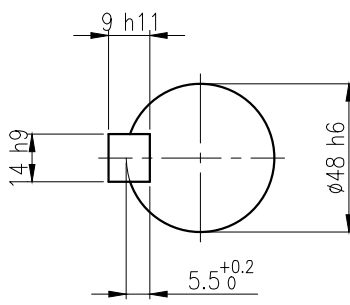
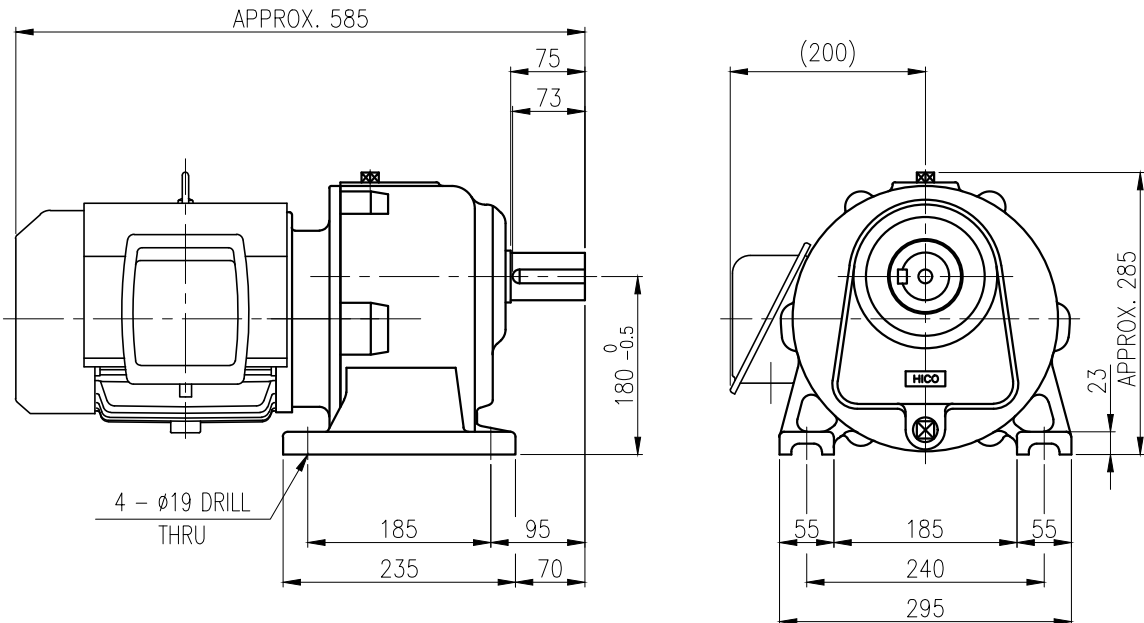


1	2	3	4	5				
No.	NAME	MATERIAL	DWG/MATL No.	CODE	Q'TY	SIZE	WEIGHT	REMARK
					0			



**OUTPUT SHAFT**  
KEY 14 x 9 x 40

		BEARING			
		INPUT SHAFT	#6205ZZ	#6306ZZ	
OIL SEAL		2ND PINION	#6304ZZ	#6304ZZ	GREASE : NLGI(EP)00
MOTOR SHAFT	D(M) 22 x 35 x 8	3RD PINION	#6305ZZ	#6305ZZ	ABOUT 1.2 kg
OUTPUT SHAFT	D(M) 50 x 72 x 12	OUTPUT SHAFT	#6310ZZ	#PM4020	WEIGHT 90 kg

		DWG NAME				외형도 OUTLINE DIMENSION	
		DWG No. <b>EK2DO07145W0001</b>				UNIT	mm
						SCALE	1:1
No.	DATE	DESCRIPTION of REVISION		DESIGNED	CHECKED	REVIEWED	APPROVED
				2018.10.01	2018.10.01	2018.10.01	2018.10.01
				최성민	문병선	박희성	홍원철
				REVISION No.		01	
				THIRD ANGLE PROJECTION			
				REF. No.	(EN202)		(A)

**HYOSUNG HEAVY INDUSTRIES**  
 TYPE FHC\_100Fr(2.2kW)\_40~60:1\_N type  
 A4(210X297mm) FORM CE-14-0100-444 2013.11.20

이 도면상에 표시된 정보는 호성중공업(주)의 소유이며 당사의 사전 서면동의 없이 무단사용을 금합니다.