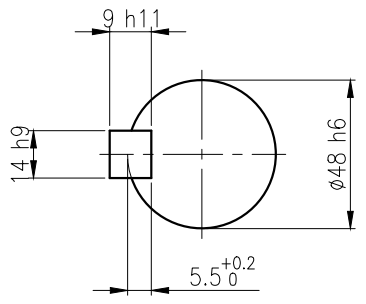
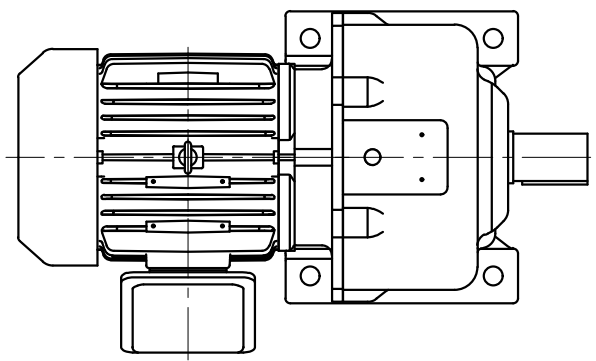
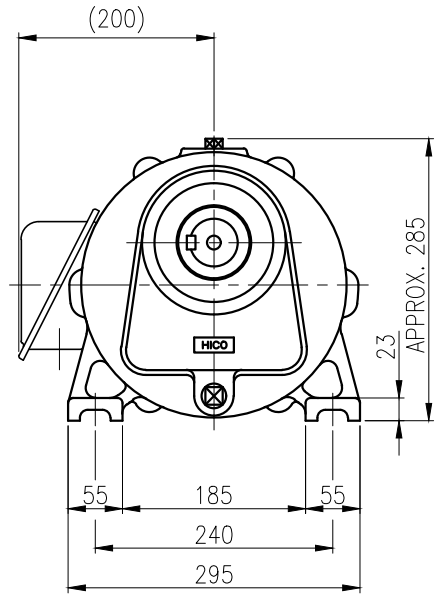
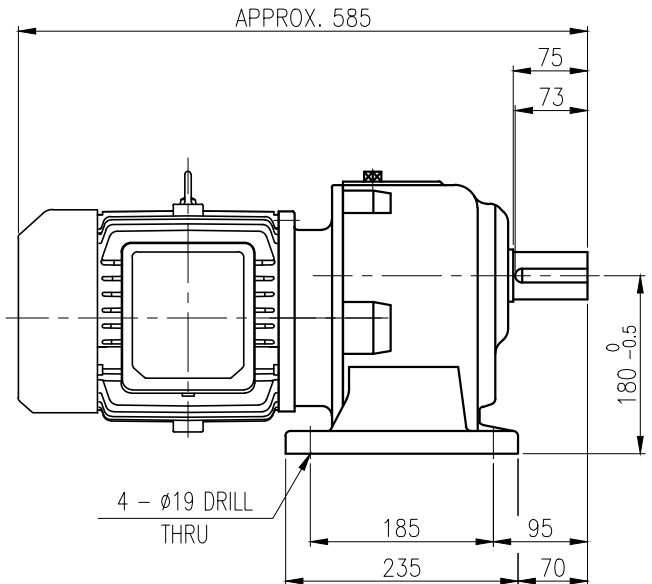


1	2	3	4	5
No.	NAME	MATERIAL	DWG/MATL No.	CODE
				Q'TY
				0
				SIZE
				WEIGHT
				REMARK



OUTPUT SHAFT

KEY 14 x 9 x 40



		BEARING			
OIL SEAL		INPUT SHAFT	#6205ZZ	#6306ZZ	
MOTOR SHAFT		2ND PINION	#6304ZZ	#6304ZZ	GREASE : NLGI(EP)00
OUTPUT SHAFT		3RD PINION	#6305ZZ	#6305ZZ	ABOUT 1.2 kg
D(M) 22 x 35 x 8		OUTPUT SHAFT	#6310ZZ	#PM4020	WEIGHT 90 kg
D(M) 50 x 72 x 12					

		외형도 OUTLINE DIMENSION			
		DWG No. <b>EK2DO07145H0001</b>		UNIT	mm
				SCALE	1:1
No.	DATE	DESIGNED	CHECKED	REVIEWED	APPROVED
		2018.10.01	2018.10.01	2018.10.01	2018.10.01
DESCRIPTION of REVISION		최성민	문병선	박희성	홍원철
DATE		2018-08-15		REVISION No.	01
THIRD ANGLE PROJECTION					
TYPE		REF. No.		(EN202)	
FHC_100Fr(2.2kW)_40~60:1_N type				A	

이 도면에 표시된 정보는 호성중공업(주)의 소유이며 당사의 사전 서면동의 없이 무단사용을 금합니다.