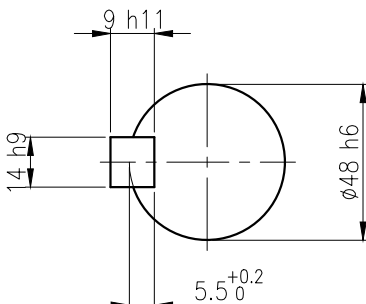
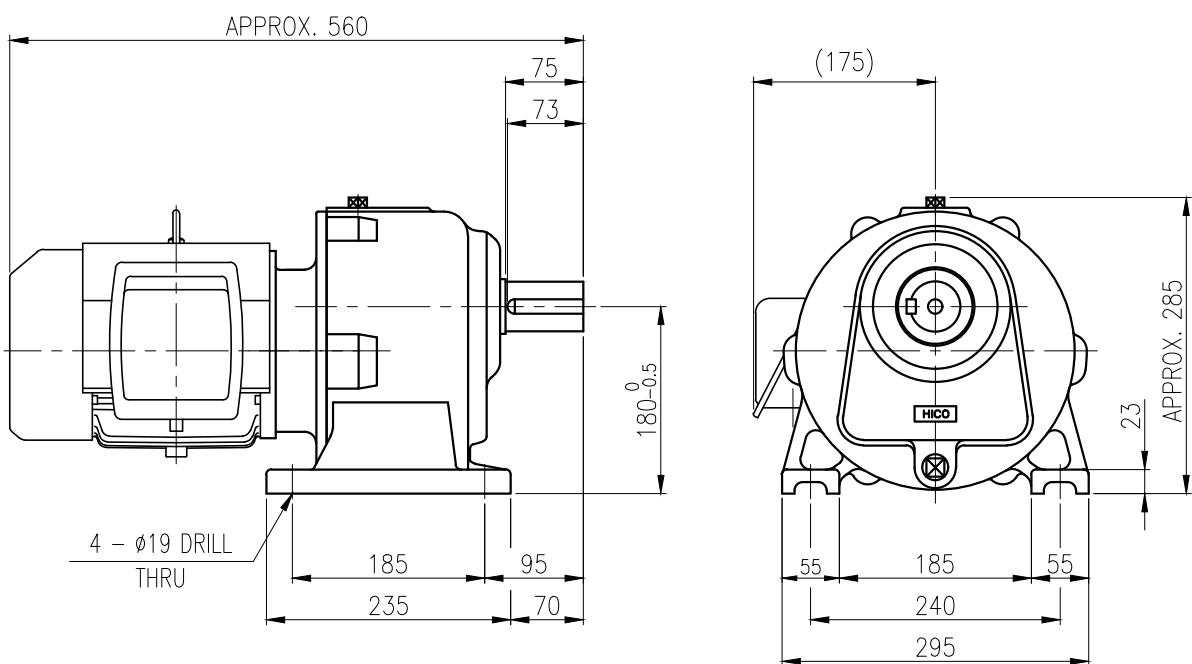


| 1 | 2 | 3 | 4 | 5 | | | | |
|-----|------|----------|--------------|------|------|------|--------|--------|
| No. | NAME | MATERIAL | DWG/MATL No. | CODE | Q'TY | SIZE | WEIGHT | REMARK |
| | | | | | 0 | | | |



OUTPUT SHAFT
KEY 14 x 9 x 40

| | | | | | |
|--------------|-------------------|--------------|---------|---------|---------------------|
| | | BEARING | | | |
| | | INPUT SHAFT | #6204ZZ | #6305ZZ | |
| OIL SEAL | | 2ND PINION | #6302ZZ | #6304ZZ | GREASE : NLGI(EP)00 |
| MOTOR SHAFT | D(M) 22 x 35 x 8 | 3RD PINION | #6305ZZ | #6305ZZ | ABOUT 1.2 kg |
| OUTPUT SHAFT | D(M) 50 x 72 x 12 | OUTPUT SHAFT | #6310ZZ | #PM4020 | WEIGHT 74 kg |

| | | | | | | | |
|--------------------------|------|--------------------------------|--|------------------------|------------|--------------------------|------------|
| | | DWG NAME | | | | 외형도 OUTLINE DIMENSION | |
| | | DWG No. | | EK2DO07143W0001 | | UNIT | mm |
| | | | | | | SCALE | 1:1 |
| No. | DATE | DESCRIPTION of REVISION | | DESIGNED | CHECKED | REVIEWED | APPROVED |
| | | | | 2018.10.01 | 2018.10.01 | 2018.10.01 | 2018.10.01 |
| | | | | 최성민 | 문병선 | 박희성 | 홍원철 |
| A4(210x297mm) | | FORM | | DATE | | 2018-08-15 | |
| CE-14-0100-444 | | 2013.11.20 | | REVISION No. | | 01 | |
| HYOSUNG HEAVY INDUSTRIES | | TYPE | | REF. No. | | (EN201) | |
| | | FHC_90Fr(1.5kW)_75~90:1_N type | | | | THIRD ANGLE PROJECTION | |
| | | | | | | A | |

The information written in this drawing is HYOSUNG HEAVY INDUSTRIES's property, and may not be disclosed and/or reproduced without the prior official permission of HYOSUNG HEAVY INDUSTRIES Corp.

이 도면상에 표시된 정보는 호성중공업(주)의 소유이며 당사의 사전 서면동의 없이 무단사용을 금합니다.