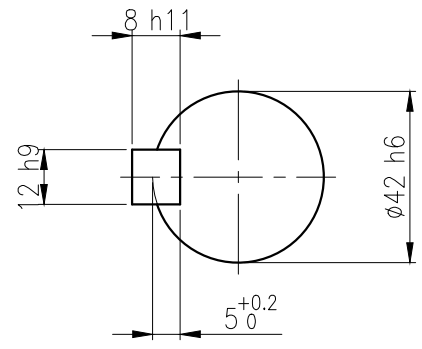
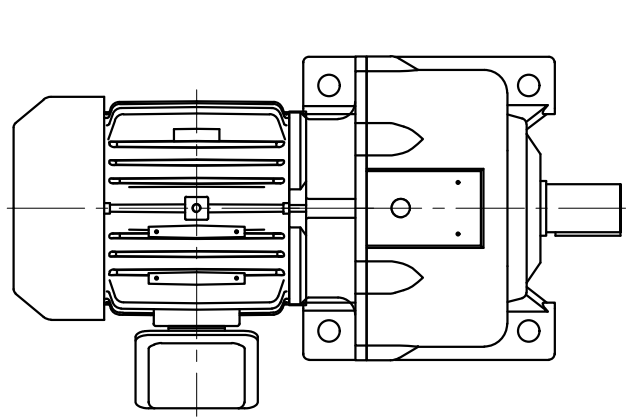
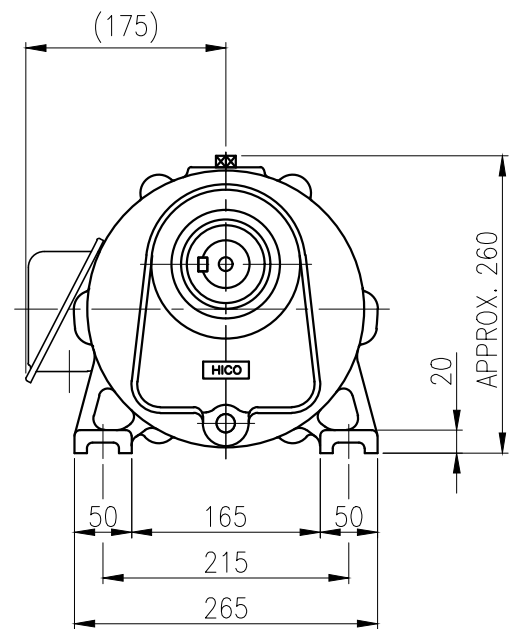
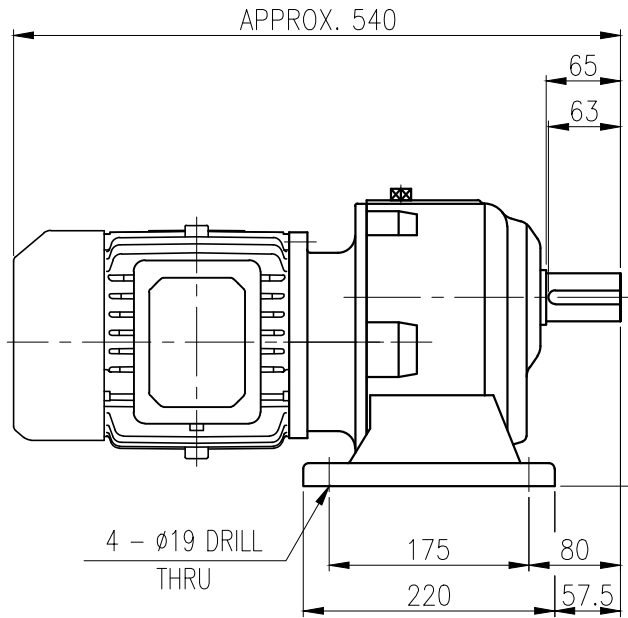


1	2	3	4	5				
No.	NAME	MATERIAL	DWG/MATL No.	CODE	Q'TY	SIZE	WEIGHT	REMARK
					0			



OUTPUT SHAFT
KEY 12 x 8 x 57



		BEARING			
OIL SEAL		INPUT SHAFT	#6204ZZ	#6305ZZ	
MOTOR SHAFT		2ND PINION	#6302ZZ	#6303ZZ	GREASE : NLGI(EP)00
OUTPUT SHAFT		3RD PINION	#6303ZZ	#6305ZZ	ABOUT 0.8 kg
D(M) 22 x 35 x 8		OUTPUT SHAFT	#6209ZZ	#PM3020	WEIGHT 62 kg
D(M) 45 x 68 x 12					

		외형도 OUTLINE DIMENSION			
		DWG No. EK2DO07142H0001		UNIT	mm
				SCALE	1:1
No.	DATE	DESCRIPTION of REVISION		DESIGNED	2018-08-15
A4(210X297mm)	FORM CE-14-0100-444 2013.11.20	HYOSUNG HEAVY INDUSTRIES		2018.10.01 최성민	2018-08-15
TYPE		FHC_90Fr(1.5kW)_40~60:1_N type		2018.10.01 문병선	2018-08-15
				2018.10.01 박희성	2018-08-15
				2018.10.01 홍원철	2018-08-15
				REVISION No. 01	
				THIRD ANGLE PROJECTION	
				REF. No.	(EN200)
				(A)	

The information written in this drawing is HYOSUNG HEAVY INDUSTRIES's property, and may not be disclosed and/or reproduced without the prior official permission of HYOSUNG HEAVY INDUSTRIES Corp.

이 도면상에 표시된 정보는 호성중공업(주)의 소유이며 당사의 사전 서면동의 없이 무단사용을 금합니다.