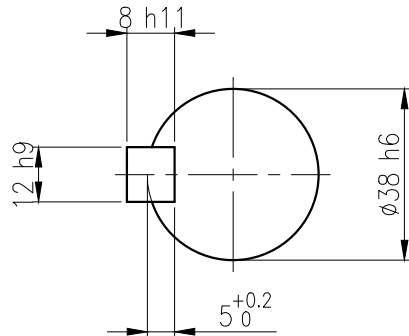
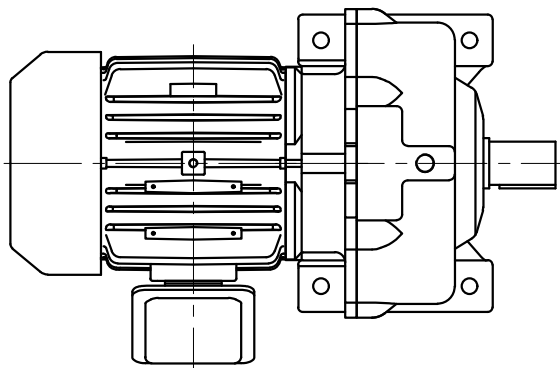
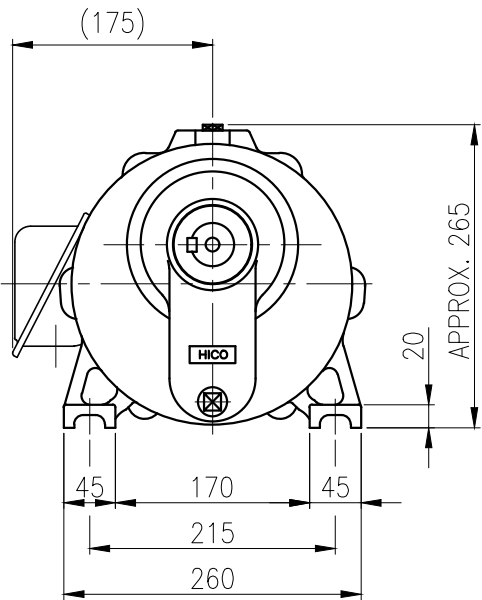
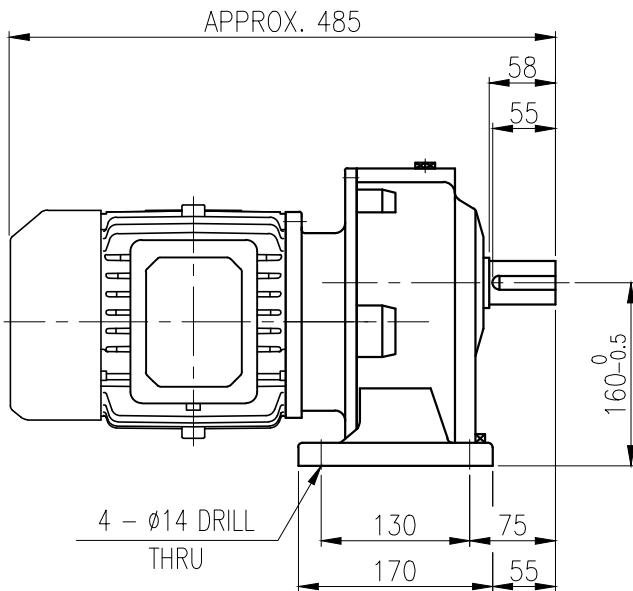


1	2	3	4	5				
No.	NAME	MATERIAL	DWG/MATL No.	CODE	Q'TY	SIZE	WEIGHT	REMARK
					0			



**OUTPUT SHAFT**

KEY 12 x 8 x 49



		BEARING			
OIL SEAL		INPUT SHAFT	#6204ZZ	#6305ZZ	
		2ND PINION	#6304ZZ	#6305ZZ	GREASE : NLGI(EP)00
MOTOR SHAFT	D(M) 22 x 35 x 8	3RD PINION	-	-	ABOUT 0.3 kg
OUTPUT SHAFT	D(M) 45 x 68 x 12	OUTPUT SHAFT	#6209ZZ	#PM3020	WEIGHT 53 kg

		외형도 OUTLINE DIMENSION			
		DWG No. <b>EK2DO07141H0001</b>		UNIT	mm
				SCALE	1:1
No.	DATE	DESIGNED	CHECKED	REVIEWED	APPROVED
		2018.10.01	2018.10.01	2018.10.01	2018.10.01
		최성민	문병선	박희성	홍원철
DATE		2018-08-15		REVISION No.	01
DESCRIPTION of REVISION		THIRD ANGLE PROJECTION			
TYPE		REF. No.		(EN005)	
FHB_90Fr(1.5kW)_30:1_N type				A	

이 도면상에 표시된 정보는 호성중공업(주)의 소유이며 당사의 사전 서면동의 없이 무단사용을 금합니다.