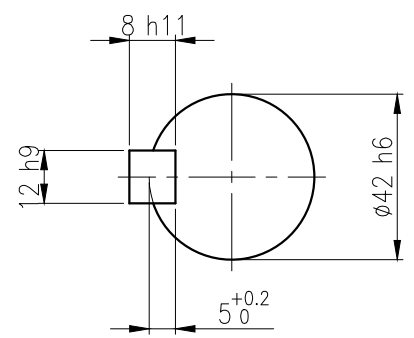
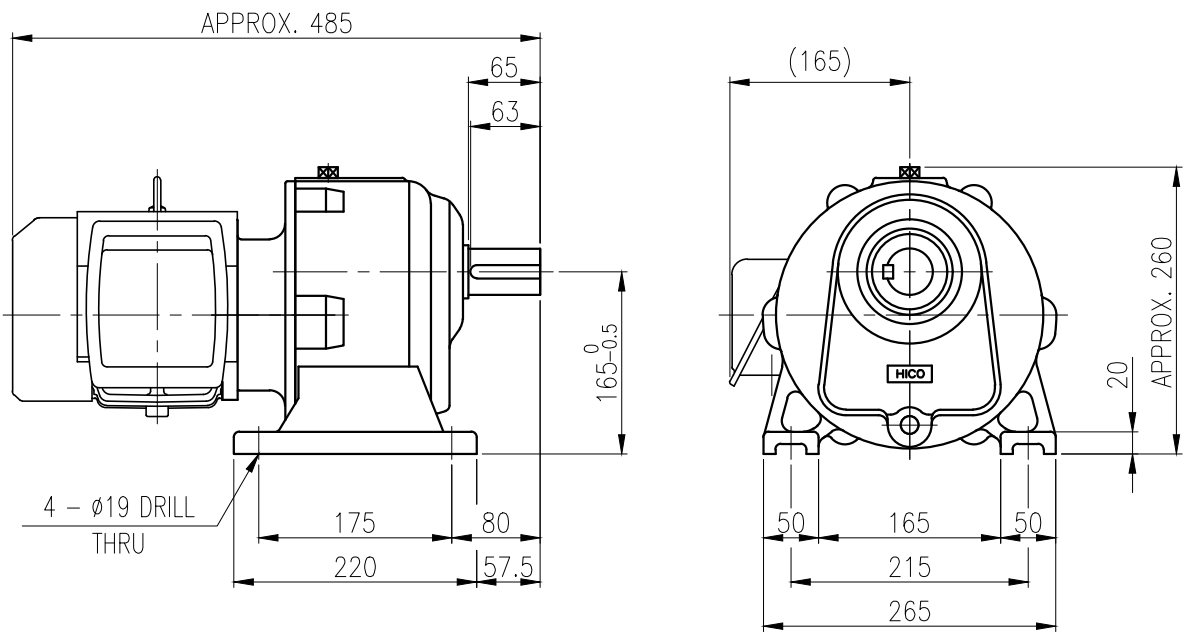


1	2	3	4	5				
No.	NAME	MATERIAL	DWG/MATL No.	CODE	Q'TY	SIZE	WEIGHT	REMARK
					0			



OUTPUT SHAFT
KEY 12 x 8 x 57

		BEARING			
OIL SEAL		INPUT SHAFT	#6203ZZ	#6205ZZ	
MOTOR SHAFT	D(M) 18 x 30 x 8	2ND PINION	#6302ZZ	#6303ZZ	GREASE : NLGI(EP)00
OUTPUT SHAFT	D(M) 45 x 68 x 12	3RD PINION	#6303ZZ	#6305ZZ	ABOUT 0.8 kg
		OUTPUT SHAFT	#6309ZZ	#PM3020	WEIGHT 55 kg

		외형도 OUTLINE DIMENSION				DWG NAME	
		DWG No. EK2DO07139W0001				UNIT	mm
		SCALE				1:1	
No.	DATE	DESIGNER		DESIGNED	CHECKED	REVIEWED	APPROVED
		DESCRIPTION of REVISION		2018.10.01	2018.10.01	2018.10.01	2018.10.01
A4(210x297mm)		FORM		최성민	문병선	박희성	홍원철
CE-14-0100-444		DATE		2018-08-15		REVISION No. 01	
2013.11.20		TYPE		THIRD ANGLE PROJECTION		REF. No. (EN199)	
		FHC_80Fr(0.75kW)_75~90:1_N type				A	

The information written in this drawing is HYOSUNG HEAVY INDUSTRIES's property, and may not be disclosed and/or reproduced without the prior official permission of HYOSUNG HEAVY INDUSTRIES Corp.

이 도면에 표시된 정보는 호성중공업(주)의 소유이며 당사의 사전 서면동의 없이 무단사용을 금합니다.