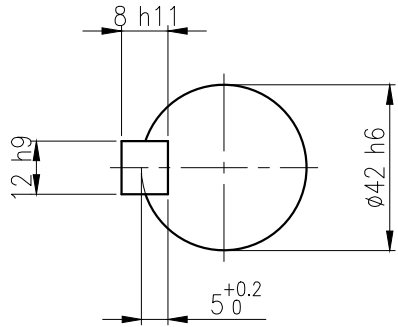
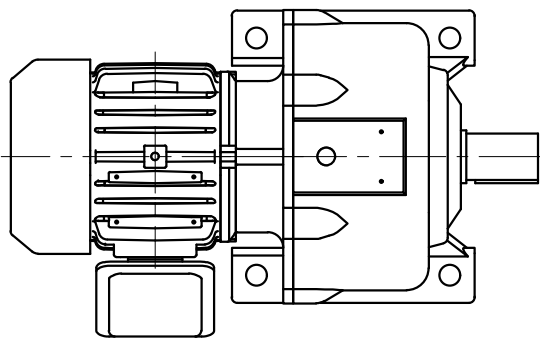
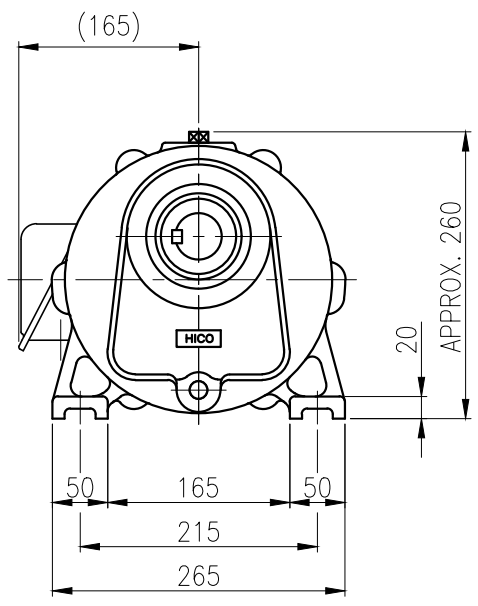
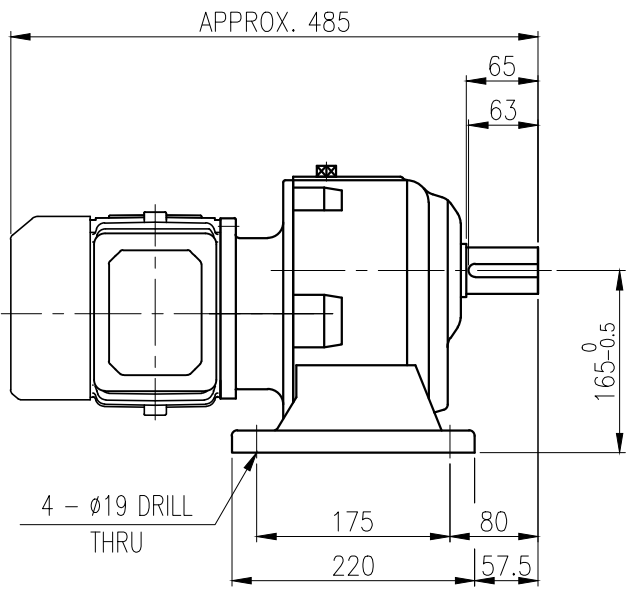


1	2	3	4	5				
No.	NAME	MATERIAL	DWG/MATL No.	CODE	Q'TY	SIZE	WEIGHT	REMARK
					0			



OUTPUT SHAFT
KEY 12 x 8 x 57



		BEARING			
OIL SEAL		INPUT SHAFT	#6203ZZ	#6205ZZ	
MOTOR SHAFT		2ND PINION	#6302ZZ	#6303ZZ	GREASE : NLGI(EP)00
OUTPUT SHAFT		3RD PINION	#6303ZZ	#6305ZZ	ABOUT 0.8 kg
D(M) 18 x 30 x 8		OUTPUT SHAFT	#6309ZZ	#PM3020	WEIGHT 55 kg
D(M) 45 x 68 x 12					

		외형도 OUTLINE DIMENSION				DWG NAME	
		EY2DO07139H0001				UNIT	mm
						SCALE	1:1
No.	DATE	DESCRIPTION of REVISION				DESIGNED	2018-08-15
A4(210X297mm)	FORM CE-14-0100-444 2013.11.20					2018.10.01	2018-08-15
TYPE						FHC_80Fr(0.75kW)_75~90:1_N type	REVISION No.
						THIRD ANGLE PROJECTION	
						REF. No.	(EN199)
						(A)	

The information written in this drawing is HYOSUNG HEAVY INDUSTRIES's property, and may not be disclosed and/or reproduced without the prior official permission of HYOSUNG HEAVY INDUSTRIES Corp.

이 도면상에 표시된 정보는 최종정공(주)의 소유이며 당사의 사전 서면동의 없이 무단사용을 금합니다.