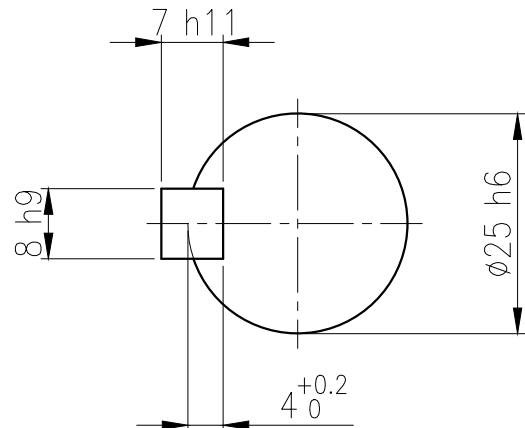
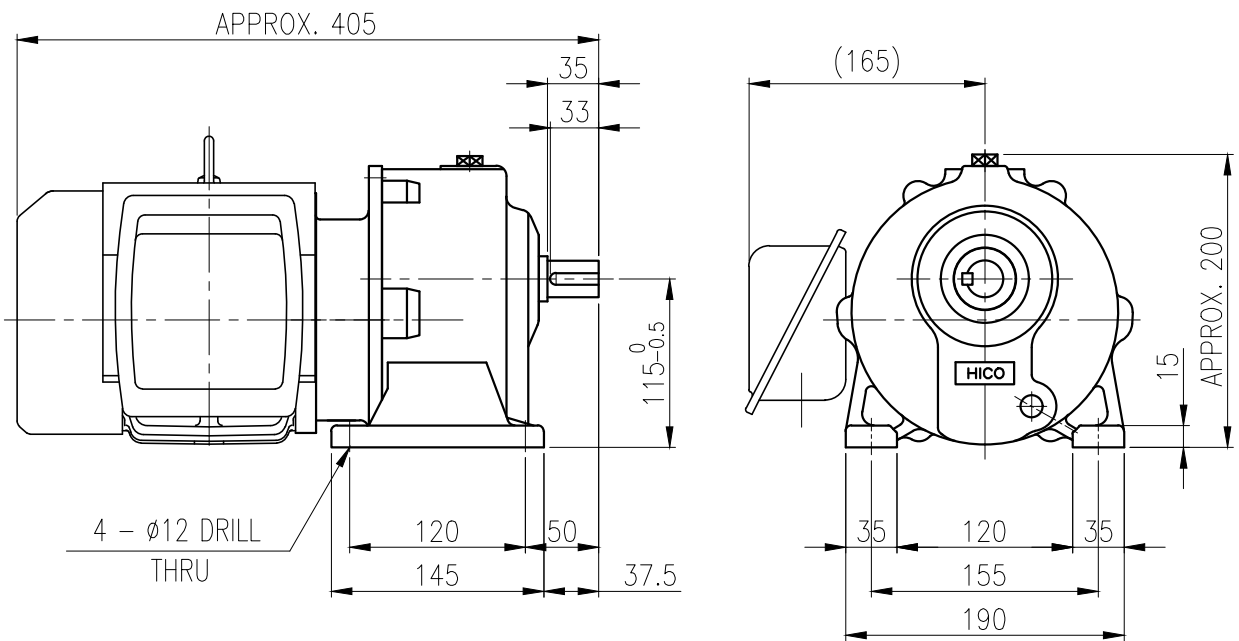


1	2	3	4	5				
No.	NAME	MATERIAL	DWG/MATL No.	CODE	Q'TY	SIZE	WEIGHT	REMARK
					0			



OUTPUT SHAFT

KEY 8 x 7 x 29

		BEARING		
OIL SEAL		INPUT SHAFT	#6203ZZ #6205ZZ	
MOTOR SHAFT D(M) 20 x 32 x 8		2ND PINION	#6302ZZ #6303ZZ	GREASE : NLGI(EP)00
OUTPUT SHAFT D(M) 30 x 42 x 8		3RD PINION	- -	ABOUT 0.25 kg
		OUTPUT SHAFT	#6306ZZ #PM2015	WEIGHT 27 kg

		DWG NAME				외형도 OUTLINE DIMENSION			
		DWG No. EK2DO07136W0001		UNIT	mm				
				SCALE	1:1				
No.	DATE	DESCRIPTION of REVISION		DESIGNED	CHECKED	REVIEWED	APPROVED	DATE	2018-08-15
A4(210X297mm)	FORM CE-14-0100-444 2013.11.20			2018.10.01 최성민	2018.10.01 문병선	2018.10.01 박희성	2018.10.01 홍원철	REVISION No.	01
TYPE				FHB_80Fr(0.4&0.75kW)_5~20:1_N type		REF. No.		(EN001)	

이 도면상에 표시된 정보는 호성중공업(주)의 소유이며 당사의 사전 서면동의 없이 무단사용을 금합니다.