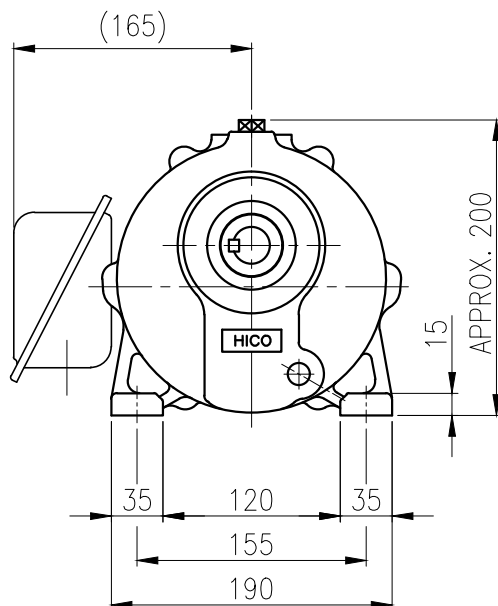
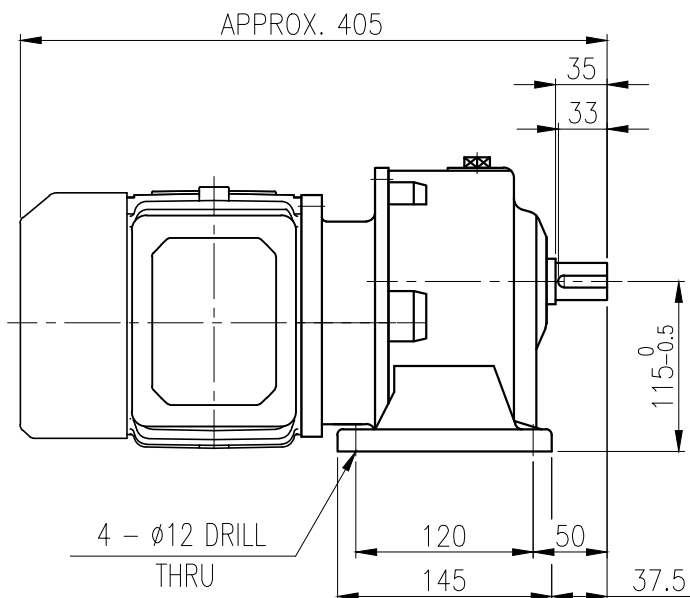


**OUTPUT SHAFT**

KEY 8 x 7 x 29



		BEARING			
OIL SEAL		INPUT SHAFT	#6203ZZ	#6205ZZ	
MOTOR SHAFT	D(M) 20 x 32 x 8	2ND PINION	#6302ZZ	#6303ZZ	GREASE : NLGI(EP)00
OUTPUT SHAFT	D(M) 30 x 42 x 8	3RD PINION	-	-	ABOUT 0.25 kg
		OUTPUT SHAFT	#6306ZZ	#PM2015	WEIGHT 27 kg

		DWG NAME				외형도 OUTLINE DIMENSION	
		DWG No.				UNIT	mm
		EYK2D007136H0001				SCALE	1:1
No.	DATE	DESCRIPTION of REVISION				DESIGNED	2018-08-15
A4(210x297mm)	FORM CE-14-0100-444 2013.11.20					CHECKED	2018-10-01
TYPE						REVIEWED	2018-10-01
FHB_80Fr(0.4&0.75kW)_5~20:1_N type		DESIGNED	최성민	CHECKED	문병선	REVIEWED	박희성
		APPROVED	홍원철	DATE		THIRD ANGLE PROJECTION	
		REF. No.	(EN001)				(A)