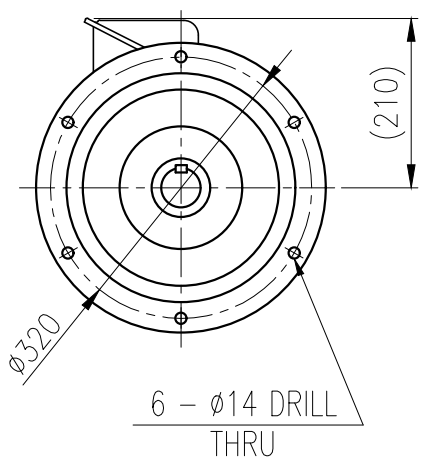
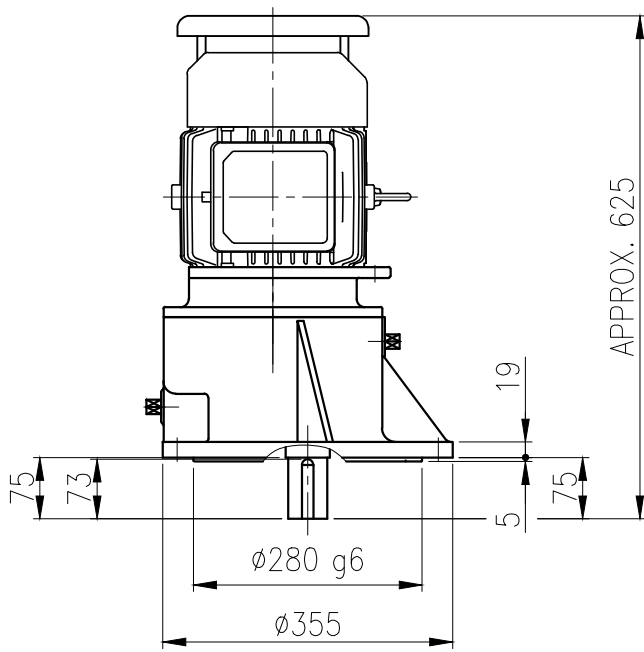
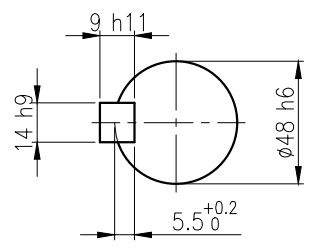


	1	2	3	4	5
No.	NAME	MATERIAL	DWG/MATL No.	CODE Q'TY	SIZE WEIGHT REMARK
				0	



VIEW "Q"



OUTPUT SHAFT
KEY 14 x 9 x 40

		BEARING		
OIL SEAL		INPUT SHAFT	#6206ZZ #6306ZZ	
		2ND PINION	#6304ZZ #6304ZZ	GREASE : NLGI(EP)00
MOTOR SHAFT	D(M) 24x40x8	3RD PINION	#6305ZZ #6305ZZ	ABOUT 1.2 kg
OUTPUT SHAFT	D(M) 50x72x12	OUTPUT SHAFT	#6310ZZ #PM4020	WEIGHT 98 kg

		외형도 OUTLINE DIMENSION			
		DWG No. EK2DO07134W0001		UNIT mm	
				SCALE 1:1	
No.	DATE	DESIGNED	CHECKED	REVIEWED	APPROVED
		2018.10.01	2018.10.01	2018.10.01	2018.10.01
		최성민	문병선	박희성	홍원철
DESCRIPTION of REVISION		DATE	2018-08-15		
		REVISION No.	01		
		THIRD ANGLE PROJECTION			
TYPE RPV_112Fr(3.7kW)_40~60:1_N type		REF. No.	(EN271)		(A)

이 도면상에 표시된 정보는 호성중공업(주)의 소유이며 당사의 사전 서면동의 없이 무단사용을 금합니다.