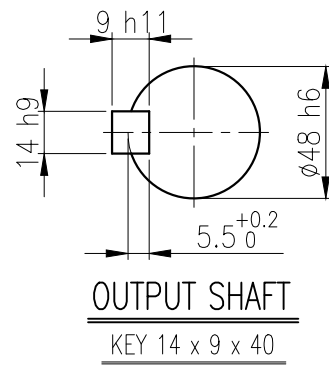
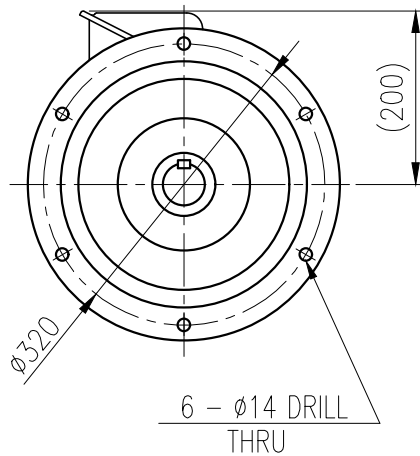
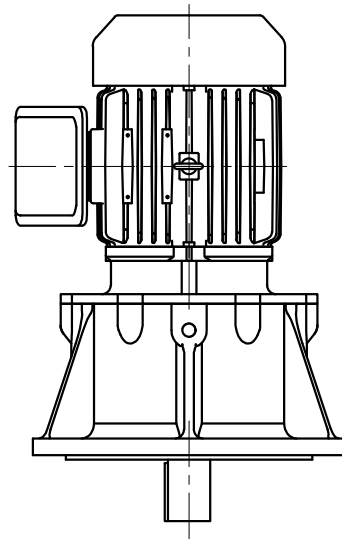
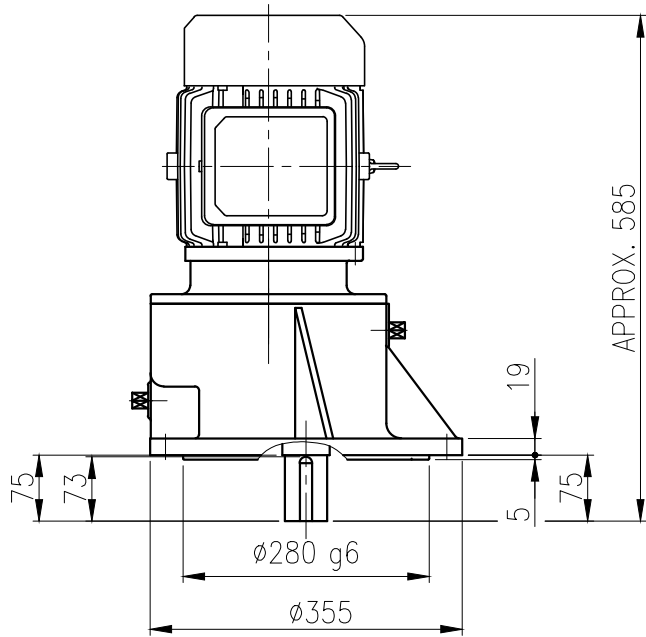


1	2	3	4	5				
No.	NAME	MATERIAL	DWG/MATL No.	CODE	Q'TY	SIZE	WEIGHT	REMARK
					0			



		BEARING			
OIL SEAL		INPUT SHAFT	#6205ZZ	#6306ZZ	
MOTOR SHAFT D(M) 22x35x8		2ND PINION	#6304ZZ	#6304ZZ	GREASE : NLGI(EP)00
OUTPUT SHAFT D(M) 50x72x12		3RD PINION	#6305ZZ	#6305ZZ	ABOUT 1.2kg
		OUTPUT SHAFT	#6310ZZ	#PM4020	WEIGHT 94 kg

		외형도 OUTLINE DIMENSION				DWG NAME	
		EY2DO07130H0001				UNIT	mm
						SCALE	1:1
No.	DATE	DESIGNER		CHECKED	REVIEWED	APPROVED	DATE
		최성민		문병선	박희성	홍원철	2018-08-15
DESCRIPTION of REVISION		DESIGNED		CHECKED		REVISION No.	
		2018.10.01		2018.10.01		01	
TYPE		REF. No.		THIRD ANGLE PROJECTION			
RPV_100Fr(2.2kW)_75~90:1_N type		(EN268)		A			

이 도면상에 표시된 정보는 호성중공업(주)의 소유이며 당사의 사전 서면동의 없이 무단사용을 금합니다.