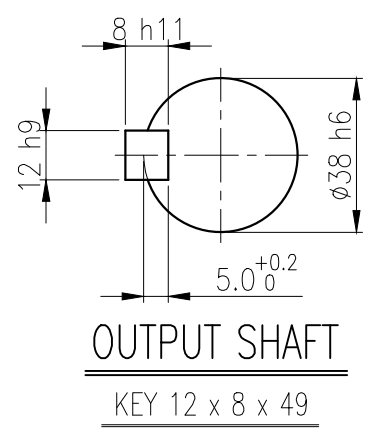
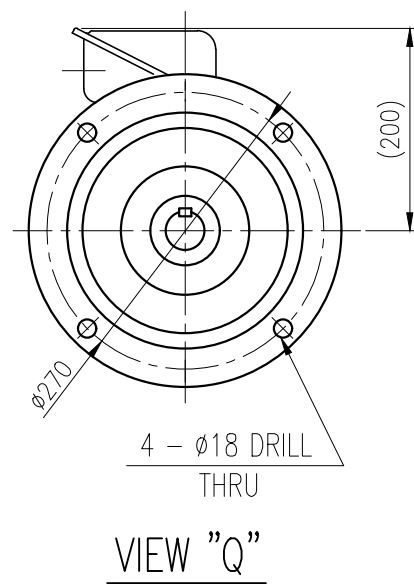
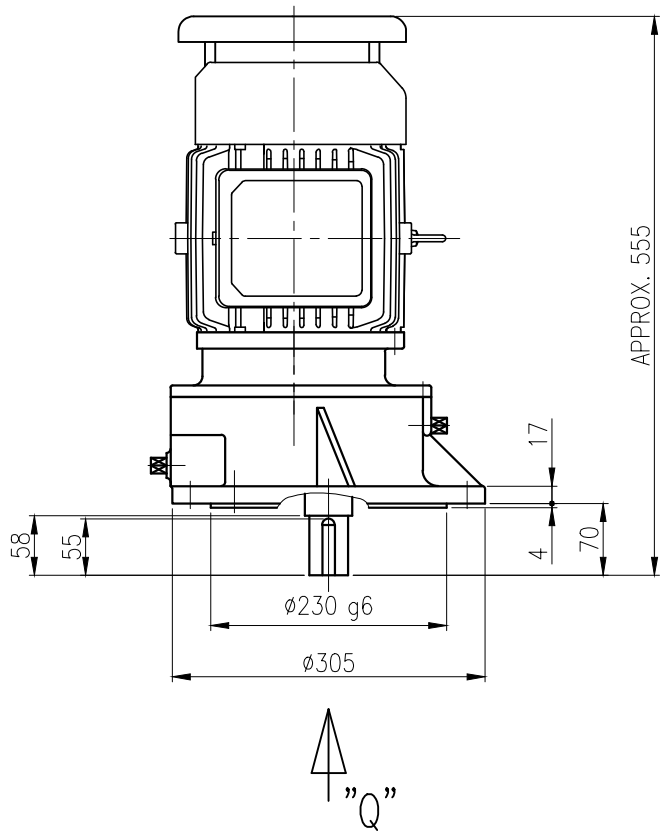


1	2	3	4	5
No.	NAME	MATERIAL	DWG/MATL No.	CODE Q'TY
				0
			SIZE	WEIGHT
				REMARK



		BEARING		
OIL SEAL		INPUT SHAFT	#6205ZZ #6306ZZ	
MOTOR SHAFT D(M) 22x35x8		2ND PINION	#6304ZZ #6305ZZ	GREASE : NLGI(EP)00
OUTPUT SHAFT D(M) 45x68x12		3RD PINION	- -	ABOUT 0.3 kg
		OUTPUT SHAFT	#6309ZZ #PM3020	WEIGHT 74 kg

		외형도 OUTLINE DIMENSION			
		DWG No. EK2DO07128W0001		UNIT mm	
				SCALE 1:1	
No.	DATE	DESIGNED	CHECKED	REVIEWED	APPROVED
		2018.10.01	2018.10.01	2018.10.01	2018.10.01
DESCRIPTION of REVISION		최성민	문병선	박희성	홍원철
DATE		2018-08-15		REVISION No.	01
THIRD ANGLE PROJECTION					
TYPE RPV_100Fr(2.2kW)_5~30:1_N type		REF. No.		(EN266)	

The information written in this drawing is HYOSUNG HEAVY INDUSTRIES's property, and may not be disclosed and/or reproduced without the prior official permission of HYOSUNG HEAVY INDUSTRIES Corp.

이 도면상에 표시된 정보는 최종정공(수)의 소유이며 당사의 사전 서면동의 없이 무단사용을 금합니다.