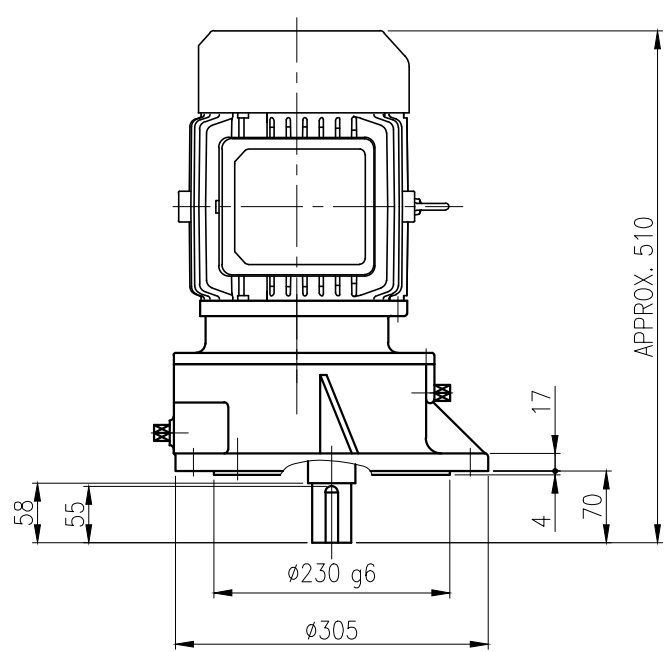
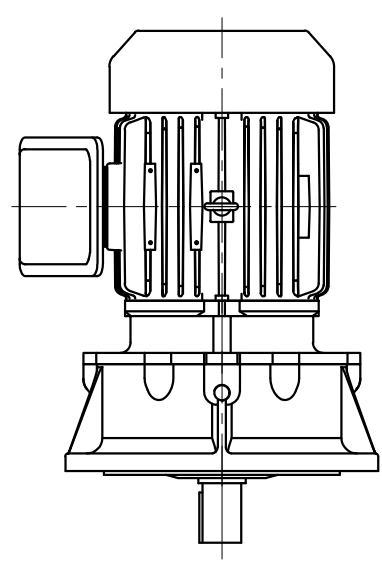
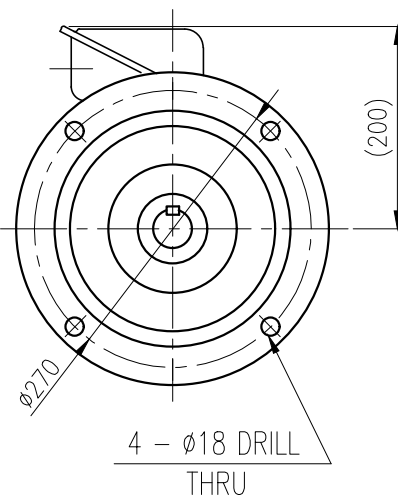
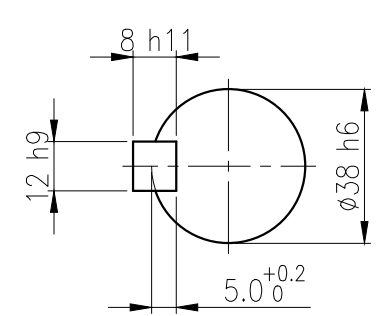


1	2	3	4	5																																								
No.	NAME	MATERIAL	DWG/MATL No.	CODE	Q'TY	SIZE	WEIGHT	REMARK																																				
					0																																							
A					A																																							
B					B																																							
C	 <p>4 - $\phi 18$ DRILL THRU</p>		 <p>OUTPUT SHAFT KEY 12 x 8 x 49</p>		C																																							
D					D																																							
E			<table border="1"> <thead> <tr> <th colspan="2"></th> <th colspan="2">BEARING</th> <th colspan="2"></th> </tr> </thead> <tbody> <tr> <td colspan="2">OIL SEAL</td> <td>INPUT SHAFT</td> <td>#6205ZZ #6306ZZ</td> <td colspan="2"></td> </tr> <tr> <td colspan="2"></td> <td>2ND PINION</td> <td>#6304ZZ #6305ZZ</td> <td colspan="2">GREASE : NLGI(EP)00</td> </tr> <tr> <td>MOTOR SHAFT</td> <td>D(M) 22x35x8</td> <td>3RD PINION</td> <td>- -</td> <td colspan="2">ABOUT 0.3 kg</td> </tr> <tr> <td>OUTPUT SHAFT</td> <td>D(M) 45x68x12</td> <td>OUTPUT SHAFT</td> <td>#6309ZZ #PM3020</td> <td colspan="2">WEIGHT 74 kg</td> </tr> </tbody> </table>				BEARING				OIL SEAL		INPUT SHAFT	#6205ZZ #6306ZZ					2ND PINION	#6304ZZ #6305ZZ	GREASE : NLGI(EP)00		MOTOR SHAFT	D(M) 22x35x8	3RD PINION	- -	ABOUT 0.3 kg		OUTPUT SHAFT	D(M) 45x68x12	OUTPUT SHAFT	#6309ZZ #PM3020	WEIGHT 74 kg		E									
		BEARING																																										
OIL SEAL		INPUT SHAFT	#6205ZZ #6306ZZ																																									
		2ND PINION	#6304ZZ #6305ZZ	GREASE : NLGI(EP)00																																								
MOTOR SHAFT	D(M) 22x35x8	3RD PINION	- -	ABOUT 0.3 kg																																								
OUTPUT SHAFT	D(M) 45x68x12	OUTPUT SHAFT	#6309ZZ #PM3020	WEIGHT 74 kg																																								
F	<table border="1"> <thead> <tr> <th>No.</th> <th>DATE</th> <th>DESCRIPTION of REVISION</th> </tr> </thead> <tbody> <tr> <td></td> <td></td> <td></td> </tr> </tbody> </table>		No.	DATE	DESCRIPTION of REVISION				<table border="1"> <thead> <tr> <th colspan="2">DWG NAME</th> <th colspan="2">외형도 OUTLINE DIMENSION</th> </tr> </thead> <tbody> <tr> <td>DWG No.</td> <td>EK2DO07128H0001</td> <td>UNIT</td> <td>mm</td> </tr> <tr> <td></td> <td></td> <td>SCALE</td> <td>1:1</td> </tr> </tbody> </table>		DWG NAME		외형도 OUTLINE DIMENSION		DWG No.	EK2DO07128H0001	UNIT	mm			SCALE	1:1	<table border="1"> <thead> <tr> <th>DESIGNED</th> <th>CHECKED</th> <th>REVIEWED</th> <th>APPROVED</th> <th>DATE</th> <th>2018-08-15</th> </tr> </thead> <tbody> <tr> <td>2018.10.01 최성민</td> <td>2018.10.01 문병선</td> <td>2018.10.01 박희성</td> <td>2018.10.01 홍원철</td> <td>REVISION No.</td> <td>01</td> </tr> <tr> <td colspan="5">THIRD ANGLE PROJECTION</td> <td></td> </tr> </tbody> </table>				DESIGNED	CHECKED	REVIEWED	APPROVED	DATE	2018-08-15	2018.10.01 최성민	2018.10.01 문병선	2018.10.01 박희성	2018.10.01 홍원철	REVISION No.	01	THIRD ANGLE PROJECTION					
No.	DATE	DESCRIPTION of REVISION																																										
DWG NAME		외형도 OUTLINE DIMENSION																																										
DWG No.	EK2DO07128H0001	UNIT	mm																																									
		SCALE	1:1																																									
DESIGNED	CHECKED	REVIEWED	APPROVED	DATE	2018-08-15																																							
2018.10.01 최성민	2018.10.01 문병선	2018.10.01 박희성	2018.10.01 홍원철	REVISION No.	01																																							
THIRD ANGLE PROJECTION																																												
<p>A4(210x297mm) FORM CE-14-0100-444 2013.11.20</p>		<p>HYOSUNG HEAVY INDUSTRIES</p>		<p>TYPE RPV_100Fr(2.2kW)_5~30:1_N type</p>		<p>REF. No. (EN266)</p>		<p>(A)</p>																																				
<p>The information written in this drawing is HYOSUNG HEAVY INDUSTRIES's property, and may not be disclosed and/or reproduced without the prior official permission of HYOSUNG HEAVY INDUSTRIES Corp.</p>																																												

이 도면상에 표시된 정보는 호성중공업(주)의 소유이며 당사의 사전 서면동의 없이 무단사용을 금합니다.