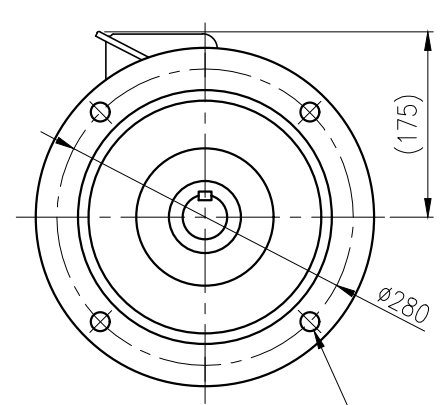
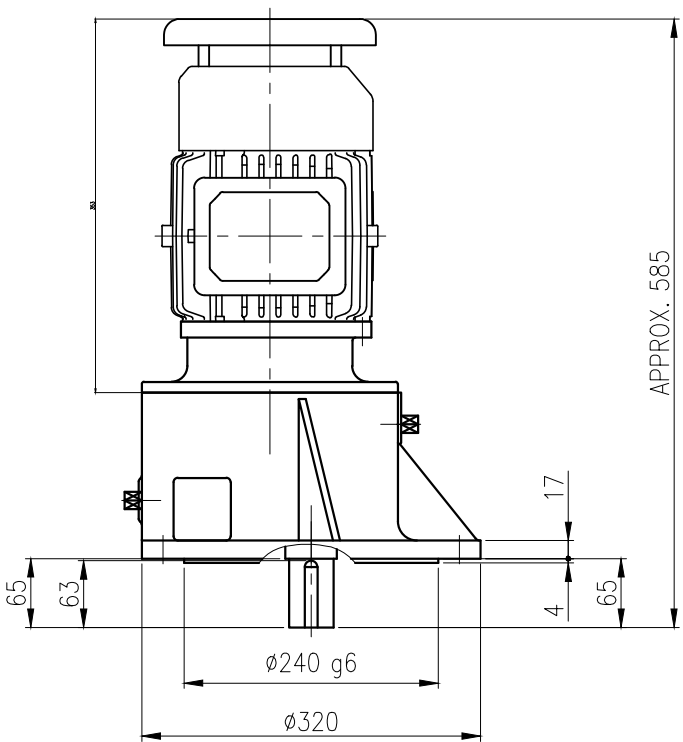
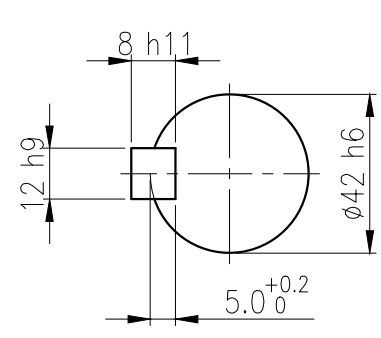


	1	2	3	4	5
No.	NAME	MATERIAL	DWG/MATL No.	CODE	Q'TY
					0
				SIZE	WEIGHT
					REMARK



4 - Ø18 DRILL THRU
VIEW "Q"



OUTPUT SHAFT
KEY 12 x 8 x 57

		BEARING			
OIL SEAL		INPUT SHAFT	#6204ZZ	#6305ZZ	
		2ND PINION	#6302ZZ	#6303ZZ	GREASE : NLGI(EP)00
MOTOR SHAFT	D(M) 20x35x8	3RD PINION	#6303ZZ	#6305ZZ	ABOUT 0.8 kg
OUTPUT SHAFT	D(M) 45x68x12	OUTPUT SHAFT	#6309ZZ	#PM3020	WEIGHT 69 kg

		외형도 OUTLINE DIMENSION			
		DWG No. EK2DO07126W0001		UNIT	mm
				SCALE	1:1
No.	DATE	DESIGNED	CHECKED	REVIEWED	APPROVED
		2018.10.01	2018.10.01	2018.10.01	2018.10.01
		최성민	문병선	박희성	홍원철
DESCRIPTION of REVISION		DATE	2018-08-15		
		REVISION No.	01		
		THIRD ANGLE PROJECTION			
TYPE RPV_90Fr(1.5kW)_75~90:1_N type		REF. No.	(EN265)		(A)

A4(210X297mm) FORM CE-14-0100-444 2013.11.20

이 도면상에 표시된 정보는 호성중공업(주)의 소유이며 당사의 사전 서면동의 없이 무단사용을 금합니다.