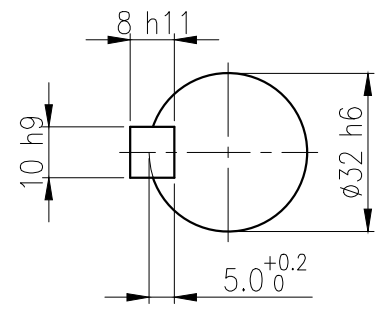
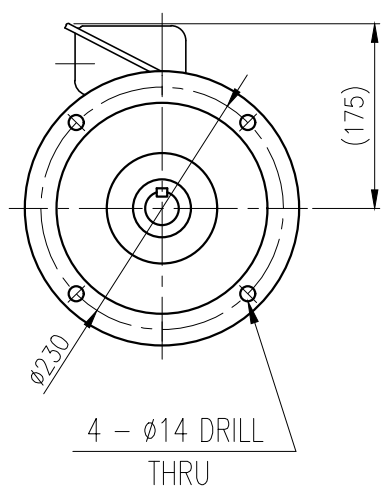
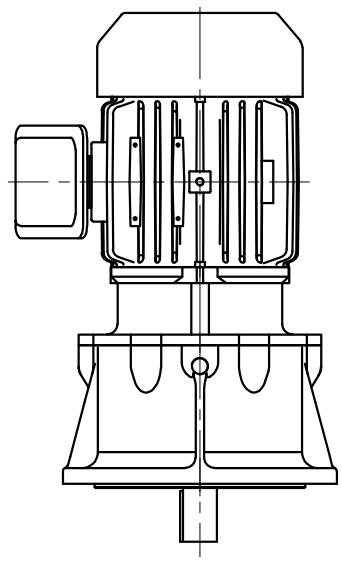
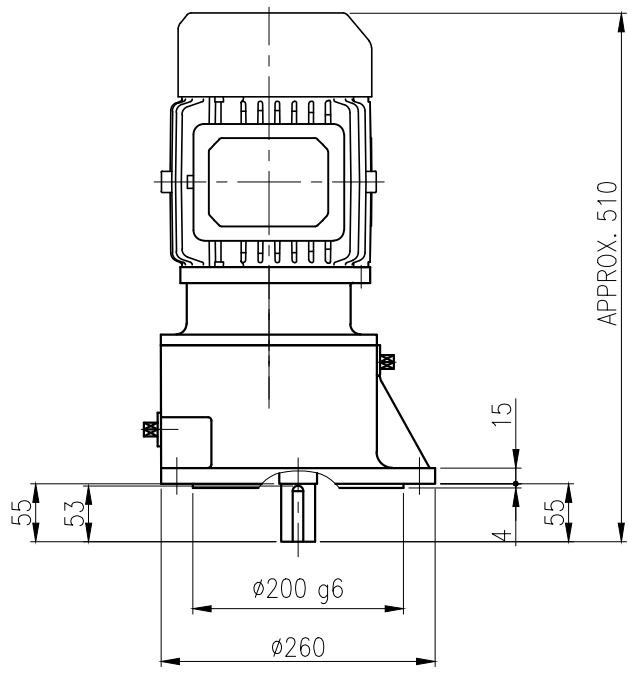


1	2	3	4	5
No.	NAME	MATERIAL	DWG/MATL No.	CODE
				Q'TY
				0
				SIZE
				WEIGHT
				REMARK



OUTPUT SHAFT
KEY 10 x 8 x 48

		BEARING			
		INPUT SHAFT	#6204ZZ	#6305ZZ	
OIL SEAL		2ND PINION	#6301ZZ	#6302ZZ	GREASE : NLGI(EP)00
MOTOR SHAFT	D(M) 18x35x8	3RD PINION	#6303ZZ	#6304ZZ	ABOUT 0.5 kg
OUTPUT SHAFT	D(M) 35x55x11	OUTPUT SHAFT	#6307ZZ	#PM2025	WEIGHT 56 kg

		외형도 OUTLINE DIMENSION			
		DWG No. EK2DO07125H0001		UNIT	mm
				SCALE	1:1
No.	DATE	DESCRIPTION of REVISION		DESIGNED	CHECKED
				2018.10.01	2018.10.01
				최성민	문병선
				2018.10.01	2018.10.01
				박희성	홍원철
		REVISION No. 01		DATE	2018-08-15
		THIRD ANGLE PROJECTION			
A4(210X297mm) FORM CE-14-0100-444 2013.11.20				REF. No. (EN264)	
TYPE		RPV_90Fr(1.5kW)_40~60:1_N type		A	

The information written in this drawing is HYOSUNG HEAVY INDUSTRIES's property, and may not be disclosed and/or reproduced without the prior official permission of HYOSUNG HEAVY INDUSTRIES Corp.

이 도면상에 표시된 정보는 호성중공업(주)의 소유이며 당사의 사전 서면동의 없이 무단사용을 금합니다.