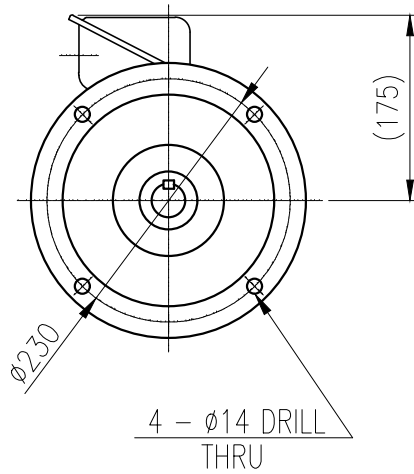
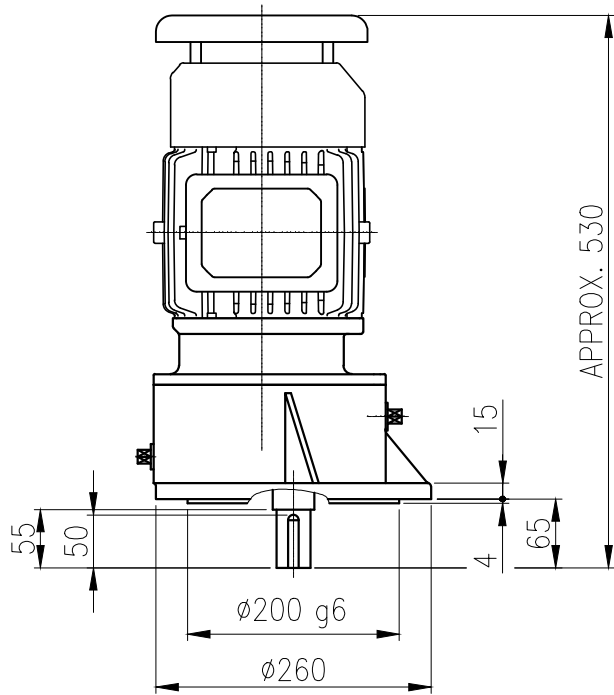
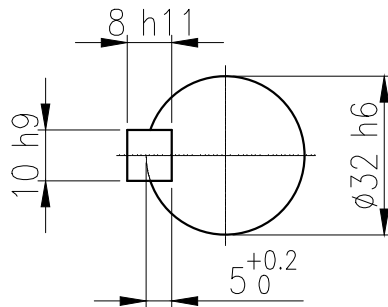


1	2	3	4	5				
No.	NAME	MATERIAL	DWG/MATL No.	CODE	Q'TY	SIZE	WEIGHT	REMARK
					0			



VIEW "Q"



OUTPUT SHAFT
KEY 10 x 8 x 48

OIL SEAL		BEARING			
MOTOR SHAFT	D(M) 22x35x8	INPUT SHAFT	#6204ZZ	#6305ZZ	GREASE : NLGI(EP)00
	D(M) 18x35x8	2ND PINION	#6302ZZ	#6304ZZ	
OUTPUT SHAFT	D(M) 35x55x11	3RD PINION	-	-	ABOUT 0.3 kg
		OUTPUT SHAFT	#6307ZZ	#PM2025	WEIGHT 50 kg

		외형도 OUTLINE DIMENSION			
		DWG No. EK2DO07124W0001		UNIT	mm
				SCALE	1:1
No.	DATE	DESIGNED	CHECKED	REVIEWED	APPROVED
		2018.10.01	2018.10.01	2018.10.01	2018.10.01
		최성민	문병선	박희성	홍원철
DESCRIPTION of REVISION		DATE		2018-08-15	
TYPE		REVISION No.		01	
RPV_90Fr(1.5kW)_5~30:1_N type		THIRD ANGLE PROJECTION			
REF. No.		(EN263)		A	

이 도면상에 표시된 정보는 호성중공업(주)의 소유이며 당사의 사전 서면동의 없이 무단사용을 금합니다.