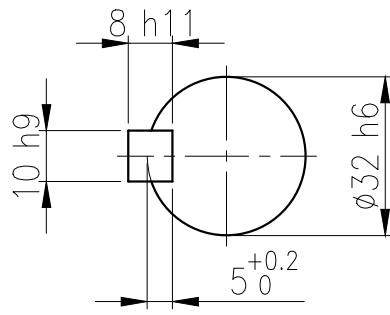
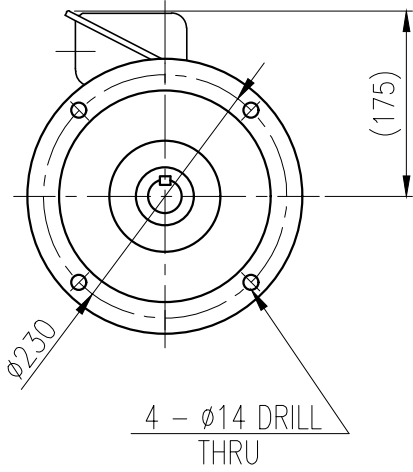
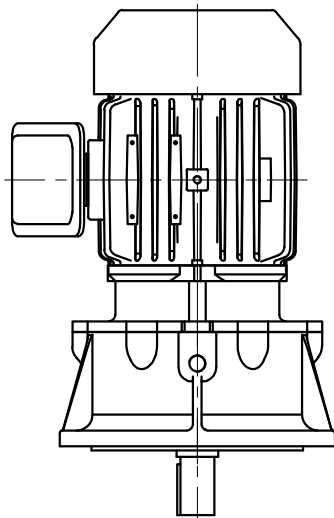
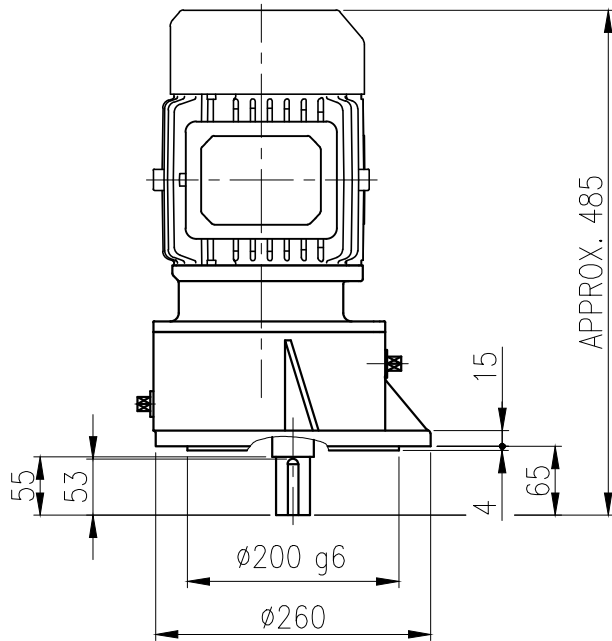


1	2	3	4	5				
No.	NAME	MATERIAL	DWG/MATL No.	CODE	Q'TY	SIZE	WEIGHT	REMARK
					0			



**OUTPUT SHAFT**  
KEY 10 x 8 x 48

OIL SEAL		BEARING			
MOTOR SHAFT	D(M) 22x35x8	INPUT SHAFT	#6204ZZ	#6305ZZ	GREASE : NLGI(EP)00
	D(M) 18x35x8	2ND PINION	#6302ZZ	#6304ZZ	
OUTPUT SHAFT	D(M) 35x55x11	3RD PINION	-	-	ABOUT 0.3 kg
		OUTPUT SHAFT	#6307ZZ	#PM2025	WEIGHT 50 kg

		DWG NAME				외형도 OUTLINE DIMENSION	
		DWG No.		<b>EK2DO07124H0001</b>		UNIT	mm
						SCALE	1:1
No.	DATE	DESCRIPTION of REVISION		DESIGNED	CHECKED	REVIEWED	APPROVED
A4(210x297mm)	FORM CE-14-0100-444 2013.11.20			2018.10.01	2018.10.01	2018.10.01	2018.10.01
TYPE				최성민	문병선	박희성	홍원철
RPV_90Fr(1.5kW)_5~30:1_N type		REF. No.		(EN263)		REVISION No.	01
						THIRD ANGLE PROJECTION	
						(A)	

The information written in this drawing is HYOSUNG HEAVY INDUSTRIES's property, and may not be disclosed and/or reproduced without the prior official permission of HYOSUNG HEAVY INDUSTRIES Corp.

이 도면상에 표시된 정보는 호성중공업(주)의 소유이며 당사의 사전 서면동의 없이 무단사용을 금합니다.