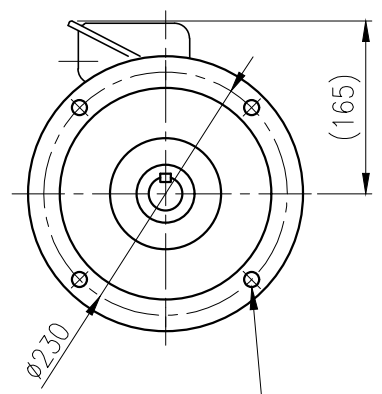
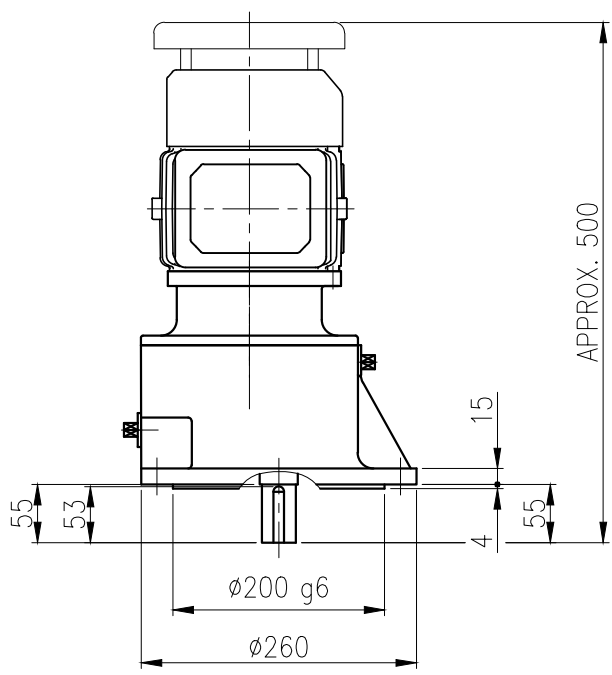
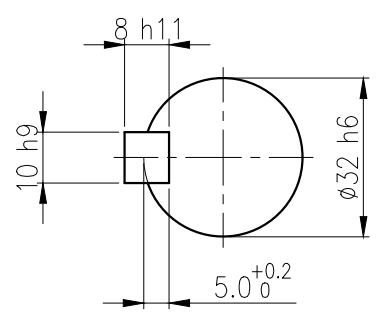


1	2		3		4		5	
No.	NAME	MATERIAL	DWG/MATL No.	CODE	Q'TY	SIZE	WEIGHT	REMARK
					0			



4 - $\phi 14$ DRILL THRU
VIEW "Q"



OUTPUT SHAFT
KEY 10 x 8 x 48

		BEARING			
OIL SEAL		INPUT SHAFT	#6203ZZ #6205ZZ		
		2ND PINION	#6301ZZ #6302ZZ	GREASE : NLGI(EP)00	
MOTOR SHAFT	D(M) 18x30x8	3RD PINION	#6303ZZ #6304ZZ	ABOUT	0.5 kg
OUTPUT SHAFT	D(M) 35x55x11	OUTPUT SHAFT	#6307ZZ #PM2025	WEIGHT	45 kg

		외형도 OUTLINE DIMENSION			
		DWG No. EK2DO07122W0001		UNIT	mm
				SCALE	1:1
No.	DATE	DESIGNED	CHECKED	REVIEWED	APPROVED
		2018.10.01	2018.10.01	2018.10.01	2018.10.01
		최성민	문병선	박희성	홍원철
DESCRIPTION of REVISION		DATE		2018-08-15	
		REVISION No.		01	
		THIRD ANGLE PROJECTION			
TYPE		REF. No.		(EN261)	
RPV_80Fr(0.75kW)_75~90:1_N type				A	

이 도면상에 표시된 정보는 호성중공업(주)의 소유이며 당사의 사전 서면동의 없이 무단사용을 금합니다.