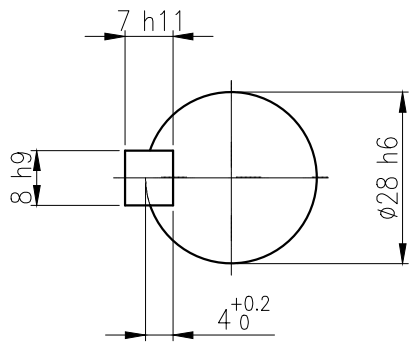
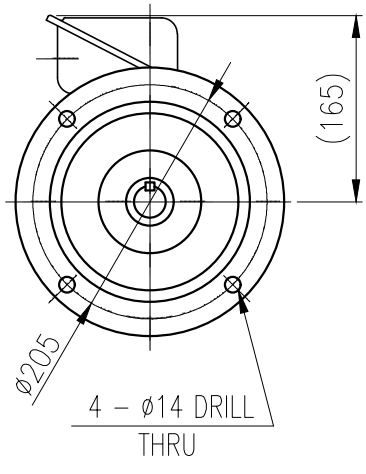
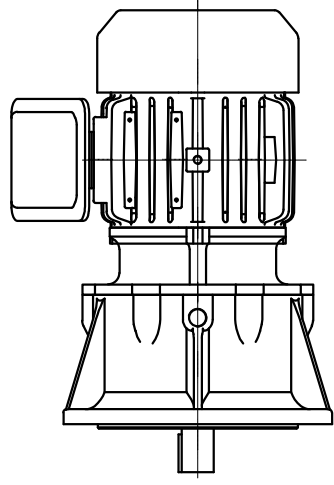
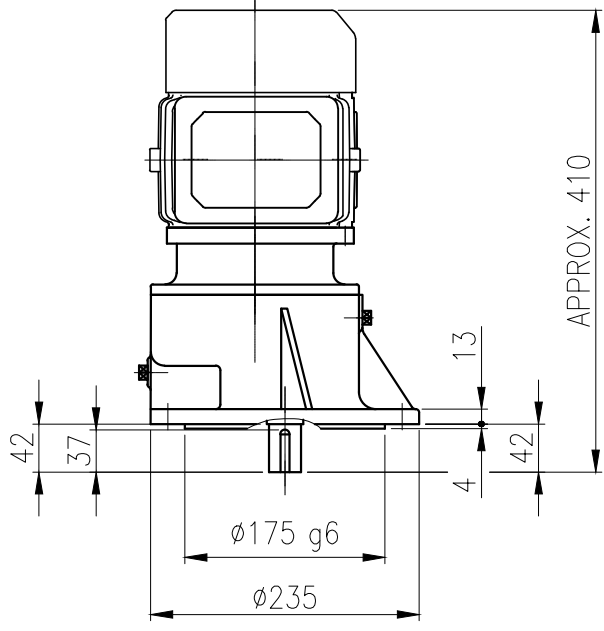


1	2		3		4		5	
No.	NAME	MATERIAL	DWG/MATL No.	CODE	Q'TY	SIZE	WEIGHT	REMARK
					0			



OUTPUT SHAFT
KEY 8 x 7 x 32

		BEARING			
OIL SEAL		INPUT SHAFT	#6203ZZ #6205ZZ	GREASE : NLGI(EP)00	
MOTOR SHAFT	D(M) 18x30x8	2ND PINION	#6301ZZ #6302ZZ	ABOUT	0.3 kg
OUTPUT SHAFT	D(M) 30x42x8	3RD PINION	#6302ZZ #6303ZZ	WEIGHT	36 kg
OUTPUT SHAFT	D(M) 30x42x8	OUTPUT SHAFT	#6306ZZ #PM2015		

		외형도 OUTLINE DIMAENSION				DWG NAME	
		EY2DO07121H0001				UNIT	mm
						SCALE	1:1
No.	DATE	DESCRIPTION of REVISION		DESIGNED	CHECKED	REVIEWED	APPROVED
2018.10.01	2018.10.01	최성민 문병선 박희성 홍원철		2018.10.01	2018.10.01	2018.10.01	2018.10.01
A4(210X297mm)		FORM CE-14-0100-444 2013.11.20		HYOSUNG HEAVY INDUSTRIES		DATE 2018-08-15	
TYPE		RPV_80Fr(0.75kW)_40~60:1_N type		REVISION No.		01	
REF. No.		(EN260)		THIRD ANGLE PROJECTION			

The information written in this drawing is HYOSUNG HEAVY INDUSTRIES's property, and may not be disclosed and/or reproduced without the prior official permission of HYOSUNG HEAVY INDUSTRIES Corp.

이 도면상에 표시된 정보는 호성중공업(주)의 소유이며 당사의 사전 서면동의 없이 무단사용을 금합니다.