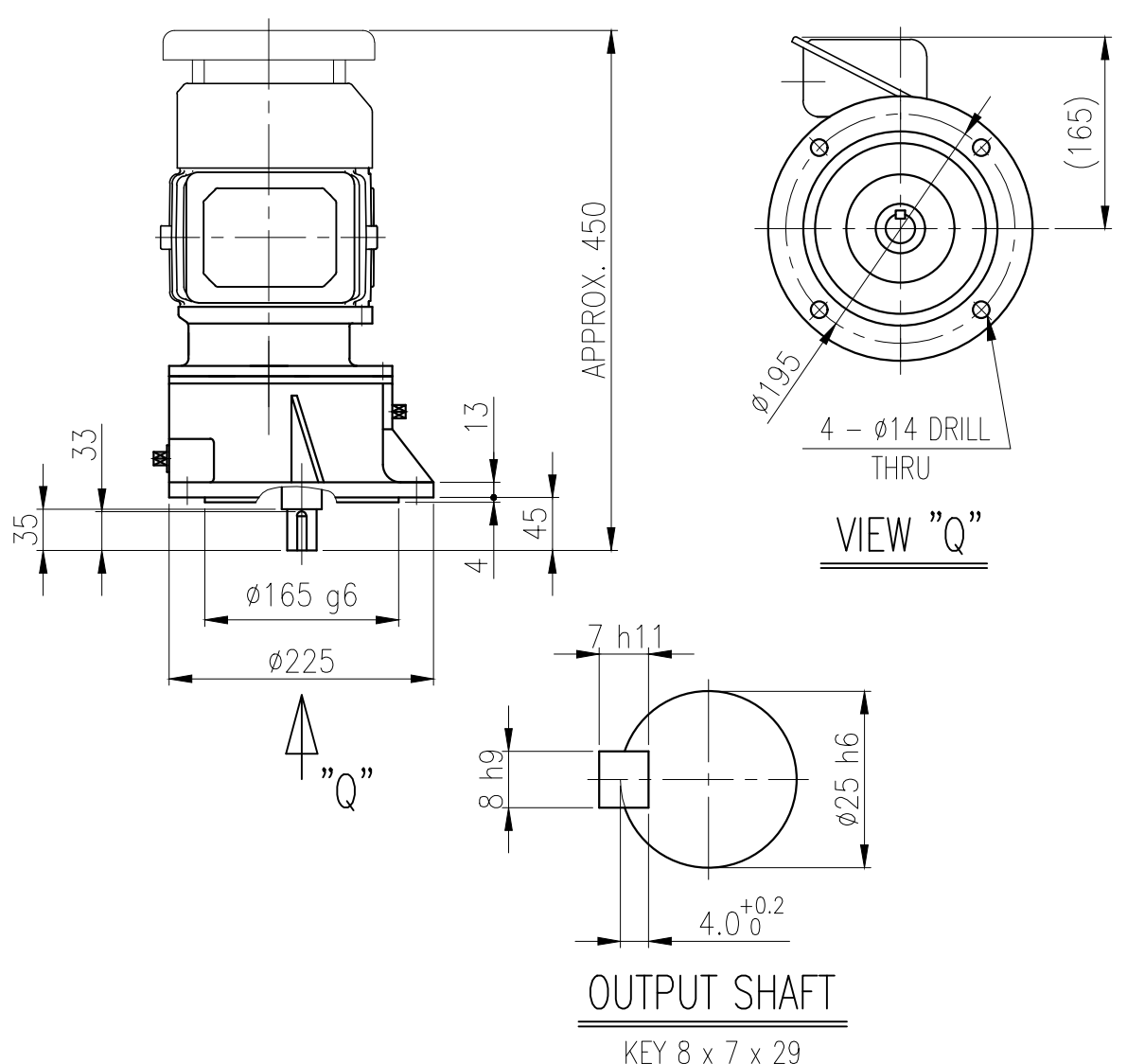


| 1 | 2 | 3 | 4 | 5 | | | | |
|-----|------|----------|--------------|------|------|------|--------|--------|
| No. | NAME | MATERIAL | DWG/MATL No. | CODE | Q'TY | SIZE | WEIGHT | REMARK |
| | | | | | 0 | | | |



| | | | | | |
|--------------|--------------|--------------|---------|---------|---------------------|
| OIL SEAL | | BEARING | | | |
| MOTOR SHAFT | D(M) 20x32x8 | INPUT SHAFT | #6203ZZ | #6205ZZ | GREASE : NLGI(EP)00 |
| | D(M) 17x32x8 | 2ND PINION | #6302ZZ | #6303ZZ | |
| OUTPUT SHAFT | D(M) 30x42x8 | 3RD PINION | - | - | ABOUT 0.25 kg |
| | | OUTPUT SHAFT | #6306ZZ | #PM2015 | WEIGHT 35 kg |

| | | | | | |
|-----|------|-------------------------|--|-------------------------------|------------|
| | | DWG NAME | | 외형도 OUTLINE DIMENSION | |
| | | DWG No. | | E K 2 D 0 0 7 1 2 0 W 0 0 0 1 | |
| | | UNIT | | mm | |
| | | SCALE | | 1:1 | |
| No. | DATE | DESIGNER | | DESIGNED | CHECKED |
| | | DESCRIPTION of REVISION | | REVIEWED | APPROVED |
| | | | | 2018.10.01 | 2018.10.01 |
| | | | | 최성민 | 문병선 |
| | | | | 2018.10.01 | 2018.10.01 |
| | | | | 박희성 | 홍원철 |
| | | | | DATE | 2018-08-15 |
| | | | | REVISION No. | 01 |
| | | | | THIRD ANGLE PROJECTION | |
| | | | | REF. No. | (EN259) |
| | | | | A | |

TYPE RPV_80Fr(0.75kW)_5~30:1_N type

이 도면상에 표시된 정보는 호성중공업(주)의 소유이며 당사의 사전 서면동의 없이 무단사용을 금합니다.