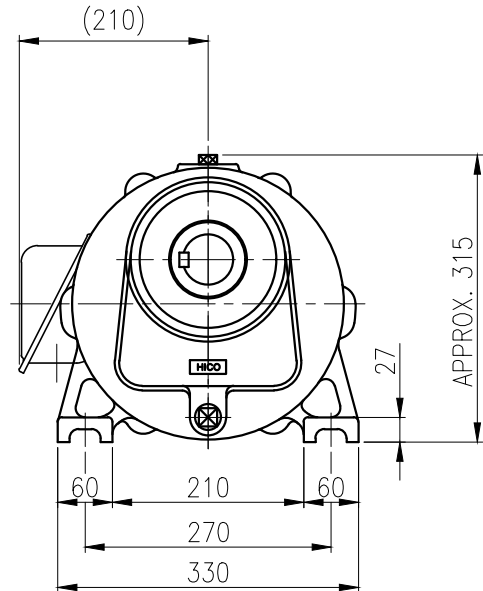
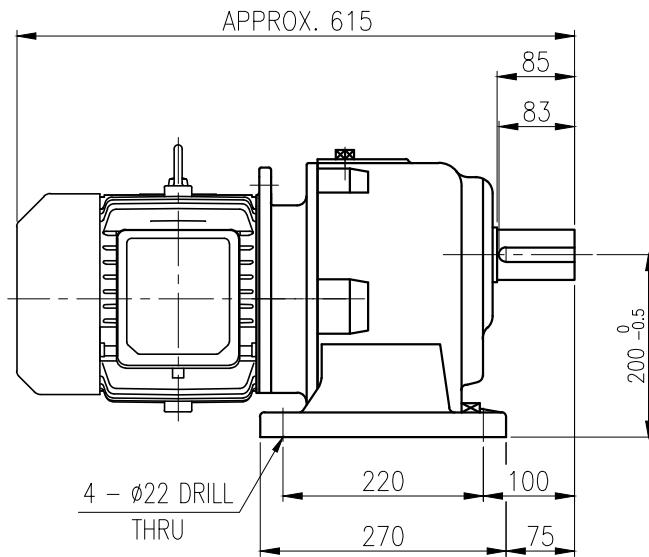


OUTPUT SHAFT

KEY 16 x 10 x 75



| | | | | | |
|--------------|---------------|--------------|---------|---------|---------------------|
| | | BEARING | | | |
| | | INPUT SHAFT | #6206ZZ | #6307ZZ | |
| OIL SEAL | | 2ND PINION | #6305ZZ | #6305ZZ | GREASE : NLGI(EP)00 |
| MOTOR SHAFT | D(M) 24x40x8 | 3RD PINION | #6306ZZ | #5305ZZ | ABOUT 1.8 kg |
| OUTPUT SHAFT | D(M) 60x82x12 | OUTPUT SHAFT | #6312ZZ | #PM4020 | WEIGHT 117 kg |

| | | | | | |
|--------------------------------------|-----------------------------------|-----------------------------------|---------------------------|----------------------------|----------------------------|
| | | DWG NAME 외형도 OUTLINE DIMENSION | | | |
| | | DWG No. EK2D007117H0001 | | UNIT mm | |
| | | | | SCALE 1:1 | |
| No. | DATE | DESCRIPTION of REVISION | | | |
| A4(210x297mm) | FORM CE-14-0100-4A4 2013.11.20 | | | | |
| TYPE RPH_112Fr(3.7kW)_75~90:1_N type | | | | | |
| | | DESIGNED 2018.10.01 최성민 | CHECKED 2018.10.01 문병선 | REVIEWED 2018.10.01 박희성 | APPROVED 2018.10.01 최성민 |
| | | REF. No. (EN253) | | DATE 2018-08-15 | REVISION No. 01 |
| | | THIRD ANGLE PROJECTION | | | |
| | | (A) | | | |

이 도면상에 표시된 정보는 표정공업(주)의 소유이며 영사의 사전 서면동의 없이 무단사용을 금합니다.