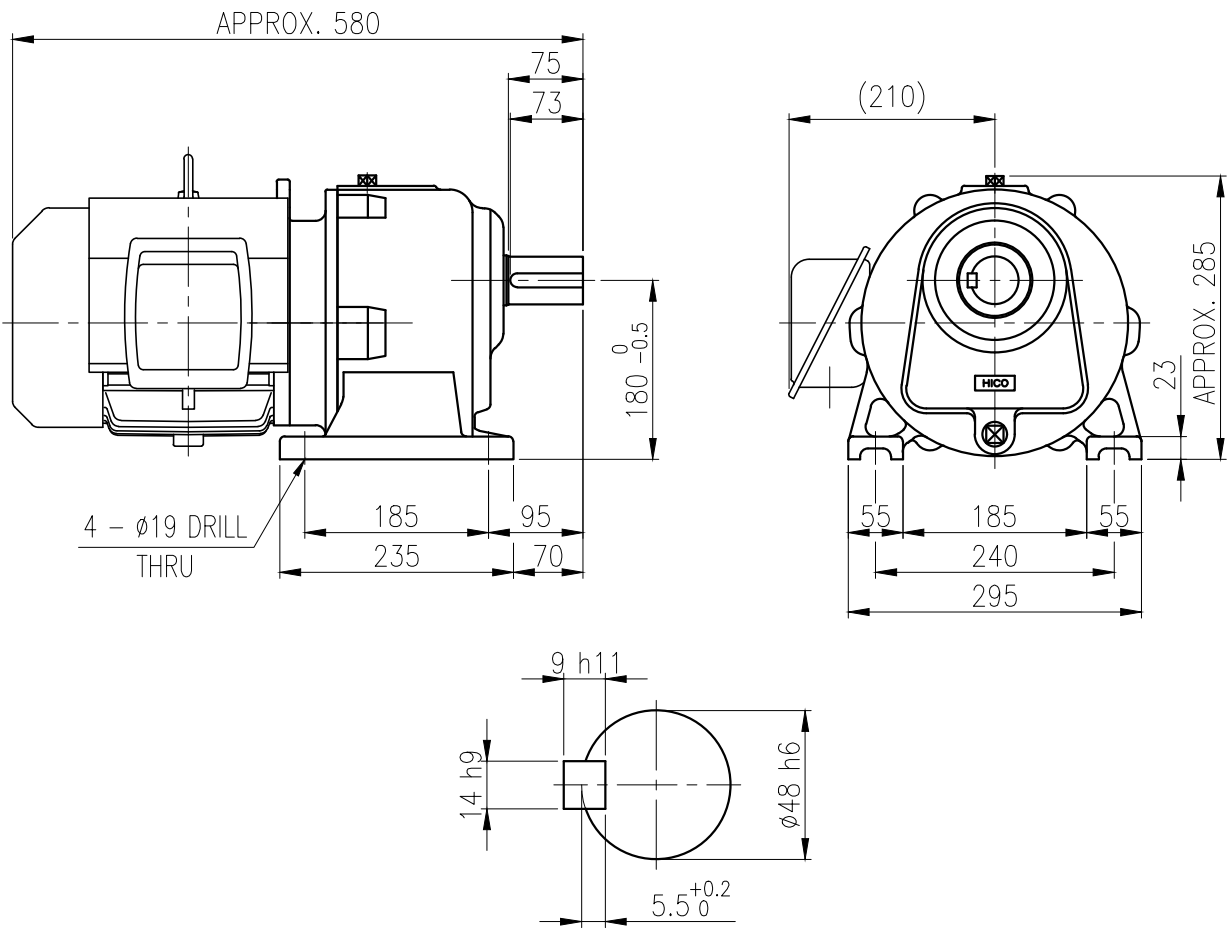


	1	2	3	4	5
No.	NAME	MATERIAL	DWG/MATL No.	CODE	Q'TY
					0
				SIZE	WEIGHT
					REMARK



OUTPUT SHAFT
KEY 14 x 9 x 40

			BEARING		
		INPUT SHAFT	#6206ZZ	#6306ZZ	
OIL SEAL		2ND PINION	#6304ZZ	#6304ZZ	GREASE : NLGI(EP)00
MOTOR SHAFT	D(M) 24x40x8	3RD PINION	#6305ZZ	#6305ZZ	ABOUT 1.2 kg
OUTPUT SHAFT	D(M) 50x72x12	OUTPUT SHAFT	#6310ZZ	#PM4020	WEIGHT 94 kg

		외형도 OUTLINE DIMAENSION			
		DWG No. EK2DO07116W0001		UNIT	mm
				SCALE	1:1
No.	DATE	DESIGNED	CHECKED	REVIEWED	APPROVED
		2018.10.01	2018.10.01	2018.10.01	2018.10.01
		최성민	문병선	박희성	홍원철
DESCRIPTION of REVISION		DATE		2018-08-15	
TYPE		REVISION No.		01	
RPH_112Fr(3.7kW)_40~60:1_N type		THIRD ANGLE PROJECTION			
REF. No.		(EN252)		A	

이 도면상에 표시된 정보는 호성중공업(주)의 소유이며 당사의 사전 서면동의 없이 무단사용을 금합니다.