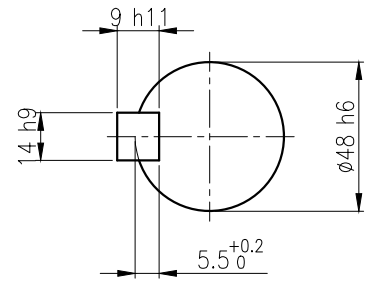
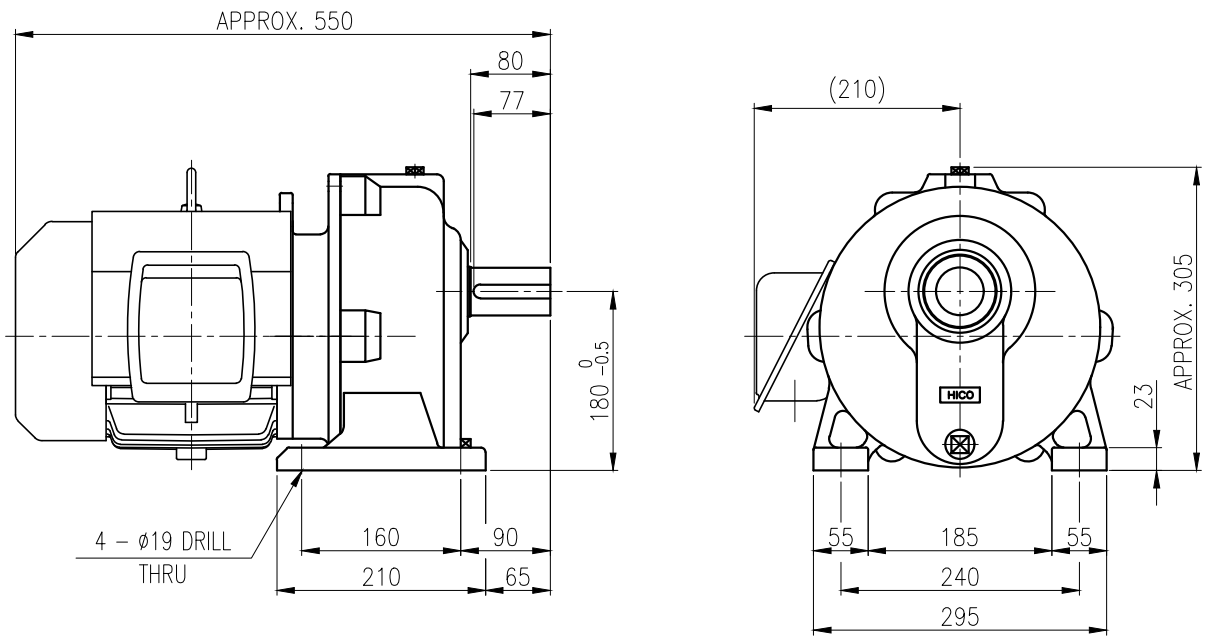


1	2	3	4	5				
No.	NAME	MATERIAL	DWG/MATL No.	CODE	Q'TY	SIZE	WEIGHT	REMARK
					0			



**OUTPUT SHAFT**  
KEY 14 x 9 x 70

		BEARING		
OIL SEAL		INPUT SHAFT	#6206ZZ #6307ZZ	
MOTOR SHAFT D(M) 24x40x8		2ND PINION	#6305ZZ #6306ZZ	GREASE : NLGI(EP)00
OUTPUT SHAFT D(M) 50x72x12		3RD PINION	-	ABOUT 0.6 kg
		OUTPUT SHAFT	#6210ZZ #PM4020	WEIGHT 89 kg

		외형도 OUTLINE DIMENSION				DWG NAME					
		DWG No. <b>EK2DO07115W0001</b>				UNIT	mm				
		SCALE				1:1					
No.	DATE	DESCRIPTION of REVISION				DESIGNED	CHECKED	REVIEWED	APPROVED	DATE	2018-08-15
A4(210X297mm)	FORM CE-14-0100-444 2013.11.20					2018.10.01	2018.10.01	2018.10.01	2018.10.01	REVISION No.	01
TYPE						RPH_112Fr(3.7kW)_30:1_N type				최성민	문병선
		REF. No.				(EN251)				(A)	

The information written in this drawing is HYOSUNG HEAVY INDUSTRIES's property, and may not be disclosed and/or reproduced without the prior official permission of HYOSUNG HEAVY INDUSTRIES Corp.

이 도면상에 표시된 정보는 호성중공업(주)의 소유이며 당사의 사전 서면동의 없이 무단사용을 금합니다.