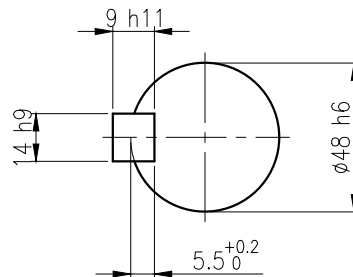
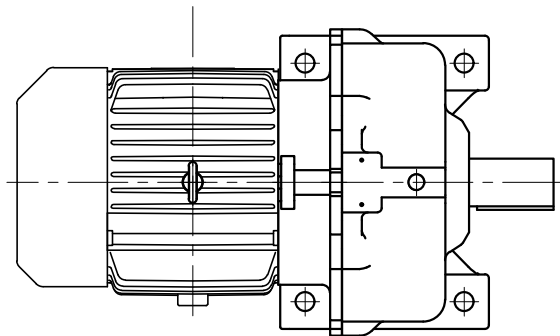
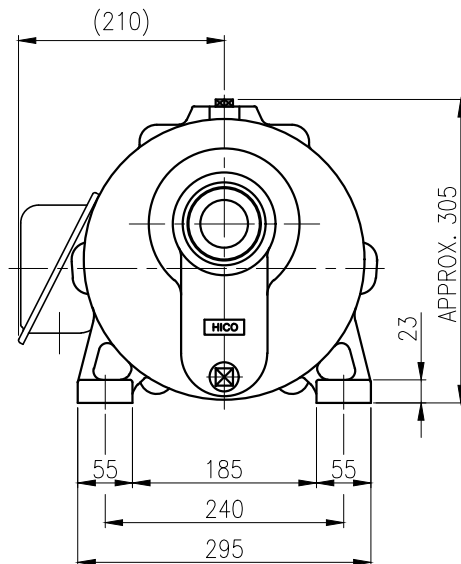
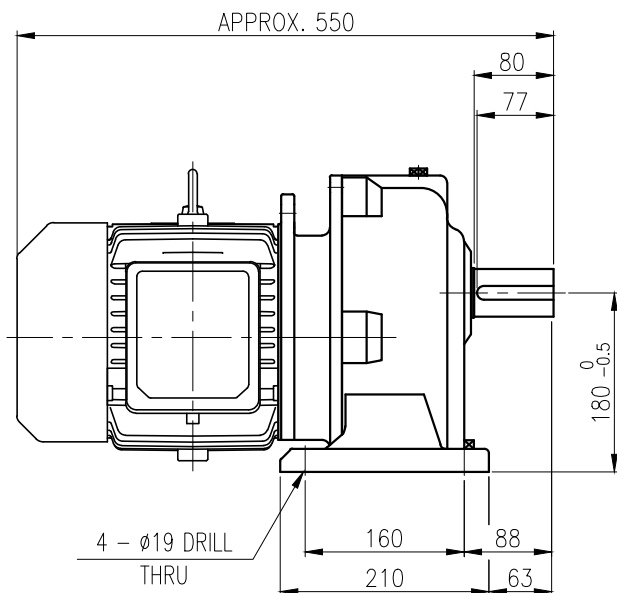


1	2	3	4	5				
No.	NAME	MATERIAL	DWG/MATL No.	CODE	Q'TY	SIZE	WEIGHT	REMARK
					0			



OUTPUT SHAFT

KEY 14 x 9 x 70



		BEARING		
OIL SEAL		INPUT SHAFT	#6206ZZ #6307ZZ	
MOTOR SHAFT D(M) 24x40x8		2ND PINION	#6305ZZ #6306ZZ	GREASE : NLGI(EP)00
OUTPUT SHAFT D(M) 50x72x12		3RD PINION	-	ABOUT 0.6 kg
		OUTPUT SHAFT	#6210ZZ #PM4020	WEIGHT 89 kg

		DWG NAME				외형도 OUTLINE DIMENSION		
		DWG No.		EK2DO07115H0001		UNIT	mm	
				SCALE		1:1		
No.	DATE	DESCRIPTION of REVISION		DESIGNED	CHECKED	REVIEWED	APPROVED	
A4(210x297mm)	FORM CE-14-0100-444 2013.11.20			2018.10.01	2018.10.01	2018.10.01	2018.10.01	
TYPE				최성민	문병선	박희성	홍원철	DATE
		RPH_112Fr(3.7kW)_30:1_N type		REF. No.	(EN251)		REVISION No.	01
						THIRD ANGLE PROJECTION		
						(A)		

이 도면상에 표시된 정보는 호성중공업(주)의 소유이며 당사의 사전 서면동의 없이 무단사용을 금합니다.