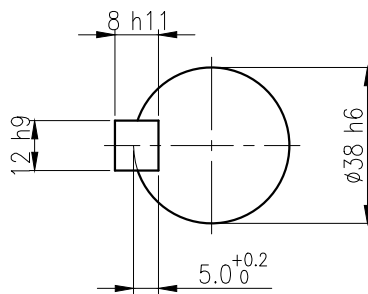
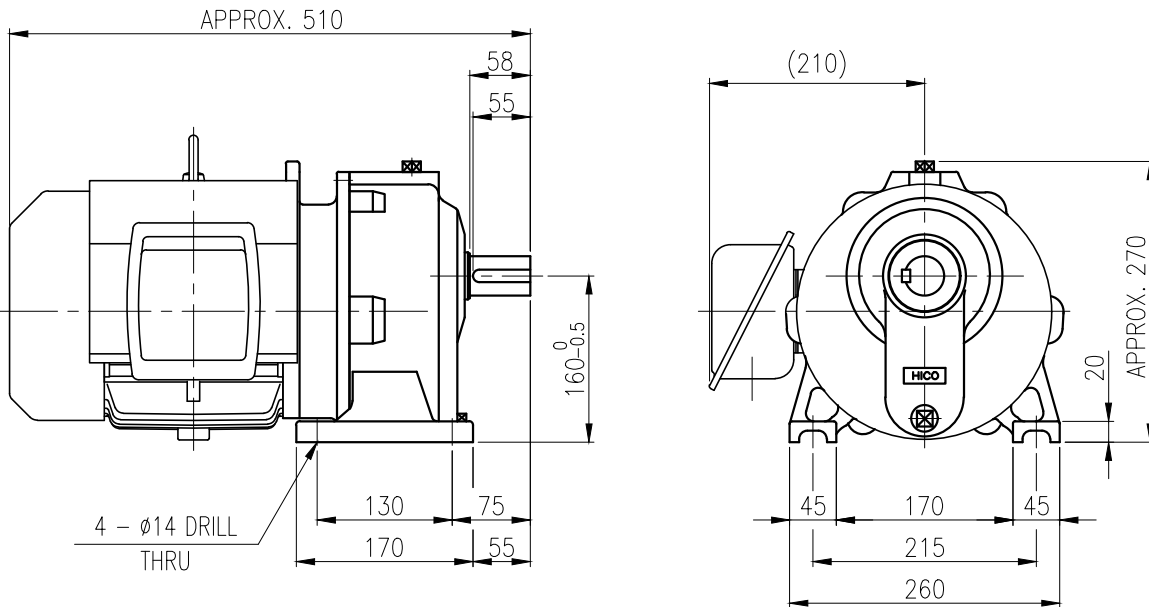


1	2	3	4	5
No.	NAME	MATERIAL	DWG/MATL No.	CODE
				Q'TY
				0
			SIZE	WEIGHT
				REMARK



**OUTPUT SHAFT**

KEY 12 x 8 x 49

		BEARING		
OIL SEAL		INPUT SHAFT	#6206ZZ #6306ZZ	
MOTOR SHAFT D(M) 24x40x8		2ND PINION	#6304ZZ #6305ZZ	GREASE : NLGI(EP)00
OUTPUT SHAFT D(M) 45x68x12		3RD PINION	- -	ABOUT 0.3 kg
		OUTPUT SHAFT	#6209ZZ #PM3020	WEIGHT 73 kg

		DWG NAME				외형도 OUTLINE DIMENSION	
		DWG No. <b>EK2DO07114W0001</b>				UNIT	mm
						SCALE	1:1
No.	DATE	DESIGNER		CHECKED	REVIEWED	APPROVED	DATE
		최성민		문병선	박희성	홍원철	2018-08-15
DESCRIPTION of REVISION		DESIGNED		THIRD ANGLE PROJECTION		REVISION No. 01	
<b>HYOSUNG HEAVY INDUSTRIES</b> TYPE RPH_112Fr(3.7kW)_5~20:1_N type		REF. No.		(EN250)		A	

이 도면상에 표시된 정보는 호성중공업(주)의 소유이며 당사의 사전 서면동의 없이 무단사용을 금합니다.