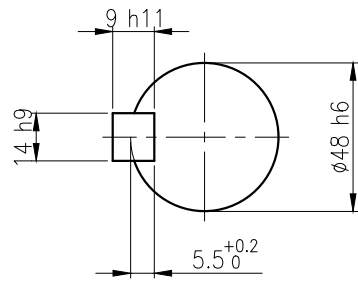
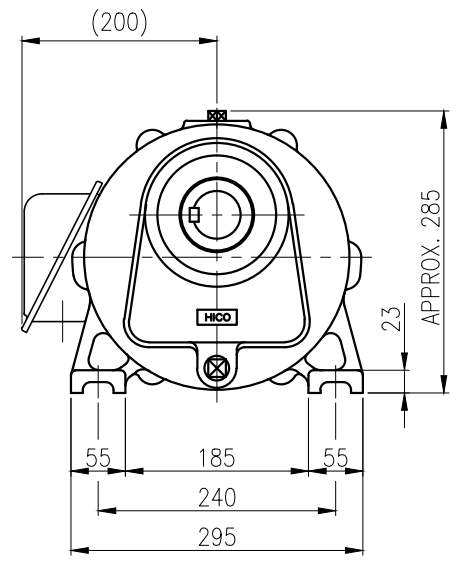
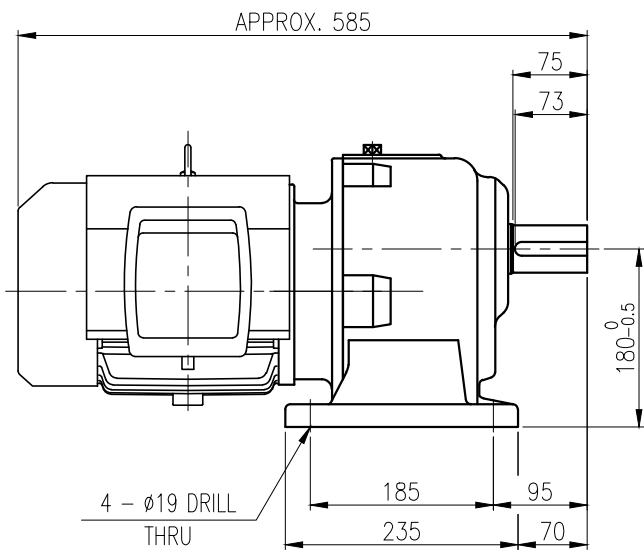


	1	2	3	4	5
No.	NAME	MATERIAL	DWG/MATL No.	CODE	Q'TY
					0
				SIZE	WEIGHT
					REMARK



OUTPUT SHAFT
KEY 14 x 9 x 40

		BEARING			
OIL SEAL		INPUT SHAFT	#6205ZZ	#6306ZZ	
MOTOR SHAFT		2ND PINION	#6304ZZ	#6304ZZ	GREASE : NLGI(EP)00
D(M) 22x35x8		3RD PINION	#6305ZZ	#6305ZZ	ABOUT 1.2 kg
OUTPUT SHAFT		OUTPUT SHAFT	#6310ZZ	#PM4020	WEIGHT 90 kg
D(M) 50x72x12					

		DWG NAME				외형도 OUTLINE DIMAENSON	
		DWG No. EK2DO07112W0001				UNIT	mm
						SCALE	1:1
No.	DATE	DESIGNER		DESIGNED	CHECKED	REVIEWED	APPROVED
		DESCRIPTION of REVISION		2018.10.01	2018.10.01	2018.10.01	2018.10.01
				최성민	문병선	박희성	홍원철
A4(210X297mm)		FORM		DATE			
CE-14-0100-444		2013.11.20		2018-08-15			
		HYOSUNG HEAVY INDUSTRIES		REVISION No. 01			
TYPE		RPH_100Fr(2.2kW)_75~90:1_N type		THIRD ANGLE PROJECTION			
		REF. No.		(EN249)			
				(A)			

The information written in this drawing is HYOSUNG HEAVY INDUSTRIES's property, and may not be disclosed and/or reproduced without the prior official permission of HYOSUNG HEAVY INDUSTRIES Corp.

이 도면상에 표시된 정보는 호성중공업(주)의 소유이며 당사의 사전 서면동의 없이 무단사용을 금합니다.