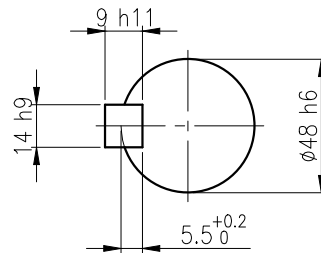
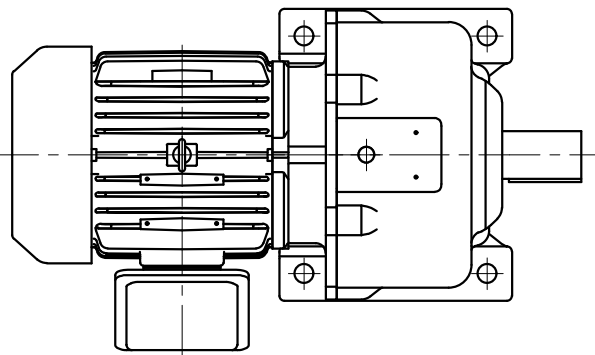
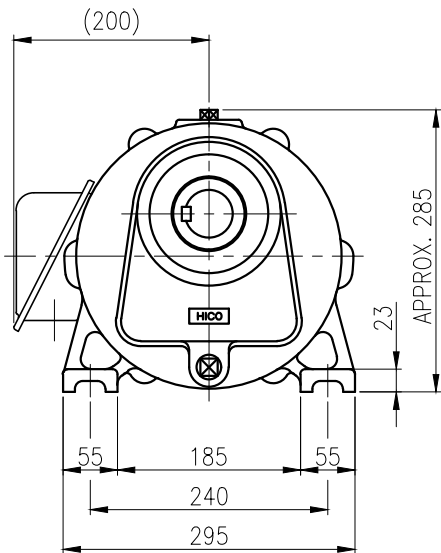
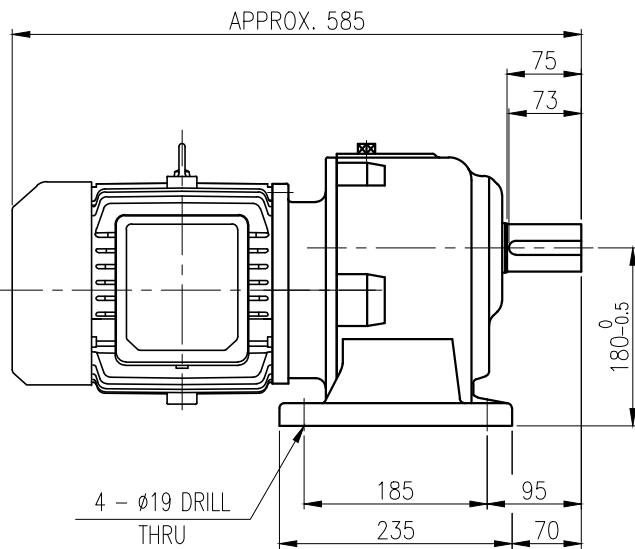


1	2	3	4	5
No.	NAME	MATERIAL	DWG/MATL No.	CODE Q'TY
				0



OUTPUT SHAFT

KEY 14 x 9 x 40



		BEARING		
OIL SEAL		INPUT SHAFT	#6205ZZ #6306ZZ	
MOTOR SHAFT D(M) 22x35x8		2ND PINION	#6304ZZ #6304ZZ	GREASE : NLGI(EP)00
OUTPUT SHAFT D(M) 50x72x12		3RD PINION	#6305ZZ #6305ZZ	ABOUT 1.2 kg
		OUTPUT SHAFT	#6310ZZ #PM4020	WEIGHT 90 kg

		DWG NAME 외형도 OUTLINE DIMAENSON			
		DWG No. EK2DO07112H0001		UNIT mm	
				SCALE 1:1	
No.	DATE	DESCRIPTION of REVISION		DESIGNED	2018-08-15
A4(210X297mm)	FORM CE-14-0100-444 2013.11.20	HYOSUNG HEAVY INDUSTRIES		2018.10.01 최성민	2018-08-15
TYPE RPH_100Fr(2.2kW)_75~90:1_N type		2018.10.01 문병선	2018.10.01 박희성	2018.10.01 홍원철	REVISION No. 01
		REF. No.		(EN249)	THIRD ANGLE PROJECTION
					(A)

이 도면상에 표시된 정보는 호성중공업(주)의 소유이며 당사의 사전 서면동의 없이 무단사용을 금합니다.