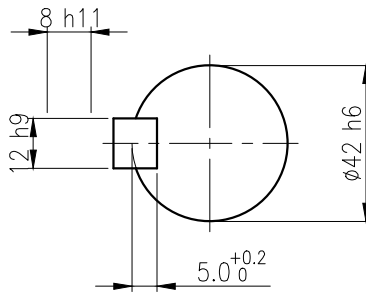
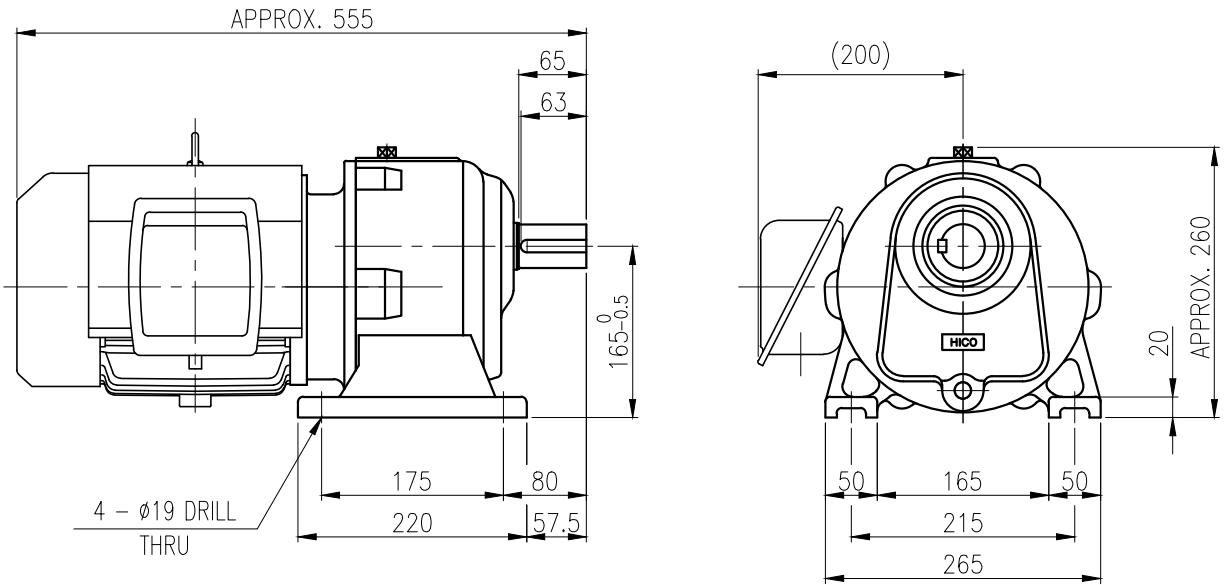


	1	2	3	4	5
No.	NAME	MATERIAL	DWG/MATL No.	CODE	Q'TY
					0
				SIZE	WEIGHT
					REMARK



**OUTPUT SHAFT**

KEY 12 x 8 x 57

		BEARING		
		INPUT SHAFT	#6205ZZ #6306ZZ	
OIL SEAL		2ND PINION	#6302ZZ #6303ZZ	GREASE : NLGI(EP)00
MOTOR SHAFT	D(M) 22x35x8	3RD PINION	#6303ZZ #6205ZZ	ABOUT 0.8 kg
OUTPUT SHAFT	D(M) 45x68x12	OUTPUT SHAFT	#6209ZZ #PM3020	WEIGHT 75 kg

		DWG NAME 외형도 OUTLINE DIMENSION			
		DWG No. <b>EK2DO07111W0001</b>		UNIT mm	
				SCALE 1:1	
No.	DATE	DESIGNED	CHECKED	REVIEWED	APPROVED
		2018.10.01	2018.10.01	2018.10.01	2018.10.01
		최성민	문병선	박희성	홍원철
DESCRIPTION of REVISION		DATE	2018-08-15		
		REVISION No.	01		
		THIRD ANGLE PROJECTION			
TYPE RPH_100Fr(2.2kW)_40~60:1_N type		REF. No.	(EN248)		(A)

이 도면에 표시된 정보는 호성중공업(주)의 소유이며 당사의 사전 서면동의 없이 무단사용을 금합니다.