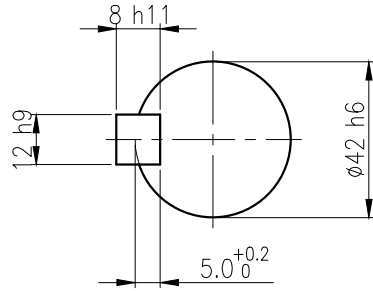
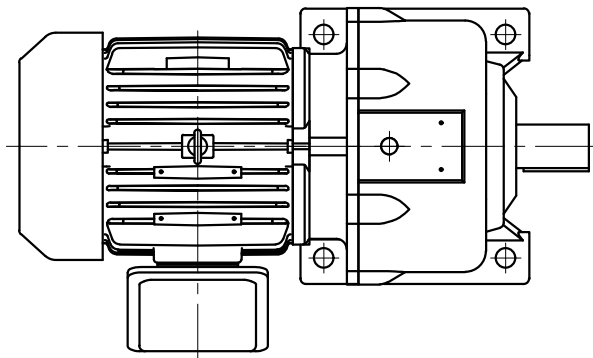
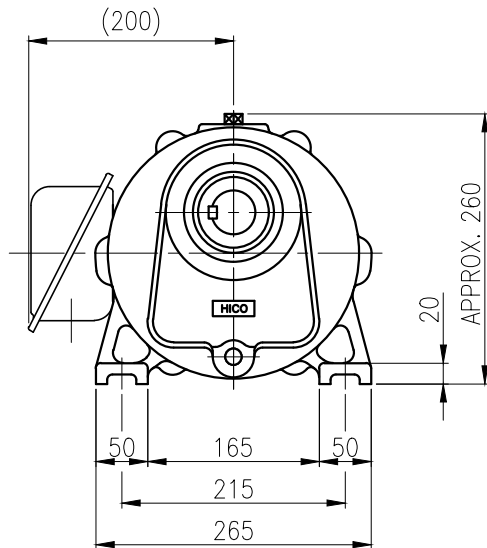
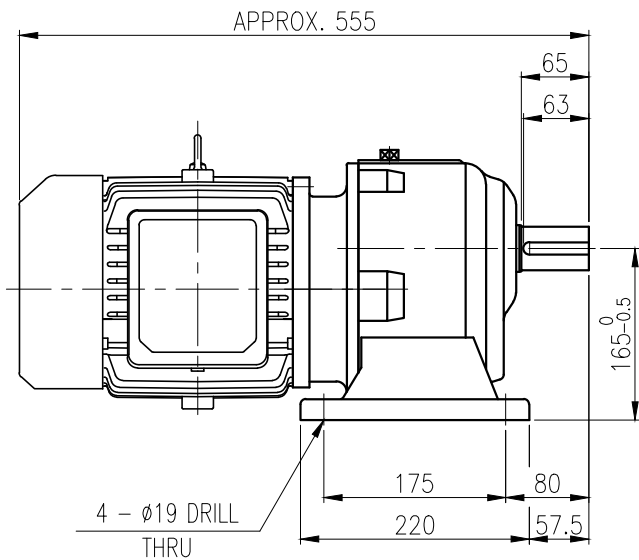


1	2	3	4	5
No.	NAME	MATERIAL	DWG/MATL No.	CODE
				Q'TY
				0
				SIZE
				WEIGHT
				REMARK



OUTPUT SHAFT

KEY 12 x 8 x 57



		BEARING		
OIL SEAL		INPUT SHAFT	#6205ZZ #6306ZZ	
		2ND PINION	#6302ZZ #6303ZZ	GREASE : NLGI(EP)00
MOTOR SHAFT	D(M) 22x35x8	3RD PINION	#6303ZZ #6205ZZ	ABOUT 0.8 kg
OUTPUT SHAFT	D(M) 45x68x12	OUTPUT SHAFT	#6209ZZ #PM3020	WEIGHT 75 kg

		DWG NAME				외형도 OUTLINE DIMENSION	
		DWG No.		EK2DO0711H0001		UNIT	mm
						SCALE	1:1
No.	DATE	DESCRIPTION of REVISION		DESIGNED	CHECKED	REVIEWED	APPROVED
				2018.10.01	2018.10.01	2018.10.01	2018.10.01
				최성민	문병선	박희성	홍원철
						DATE	2018-08-15
						REVISION No.	01
						THIRD ANGLE PROJECTION	
						REF. No.	(EN248)
						(A)	

HYOSUNG HEAVY INDUSTRIES
 TYPE RPH_100Fr(2.2kW)_40~60:1_N type
 A4(210X297mm) FORM CE-14-0100-444 2013.11.20

이 도면상에 표시된 정보는 호성중공업(주)의 소유이며 당사의 사전 서면동의 없이 무단사용을 금합니다.