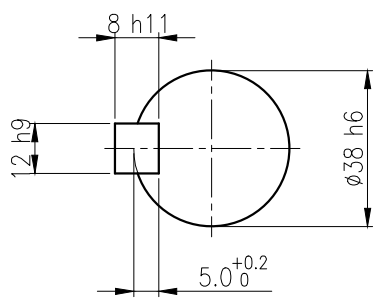
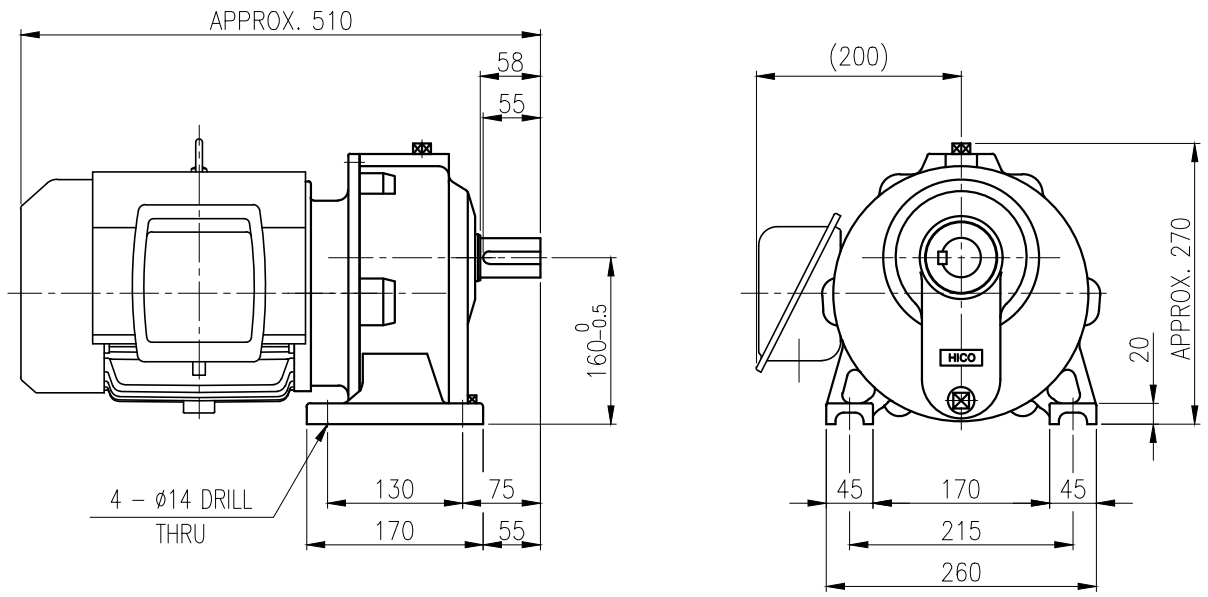


1	2		3		4		5	
No.	NAME	MATERIAL	DWG/MATL No.	CODE	Q'TY	SIZE	WEIGHT	REMARK
					0			



OUTPUT SHAFT
KEY 12 x 8 x 49

		BEARING			
OIL SEAL		INPUT SHAFT	#6205ZZ	#6306ZZ	
MOTOR SHAFT D(M) 22x35x8		2ND PINION	#6304ZZ	#6305ZZ	GREASE : NLGI(EP)00
OUTPUT SHAFT D(M) 45x68x12		3RD PINION	-	-	ABOUT 0.3 kg
		OUTPUT SHAFT	#6209ZZ	#PM3020	WEIGHT 69 kg

		DWG NAME				외형도 OUTLINE DIMENSION	
		DWG No. EK2DO07110W0001				UNIT	mm
						SCALE	1:1
No.	DATE	DESCRIPTION of REVISION		DESIGNED	CHECKED	REVIEWED	APPROVED
				2018.10.01	2018.10.01	2018.10.01	2018.10.01
				최성민	문병선	박희성	홍원철
				DATE	2018-08-15		
				REVISION No.	01		
				THIRD ANGLE PROJECTION			
		TYPE		REF. No.	(EN247)		(A)
		RPH_100Fr(2.2kW)_5~30:1_N type					

The information written in this drawing is HYOSUNG HEAVY INDUSTRIES's property, and may not be disclosed and/or reproduced without the prior official permission of HYOSUNG HEAVY INDUSTRIES Corp.

이 도면상에 표시된 정보는 호성중공업(주)의 소유이며 당사의 사전 서면동의 없이 무단사용을 금합니다.