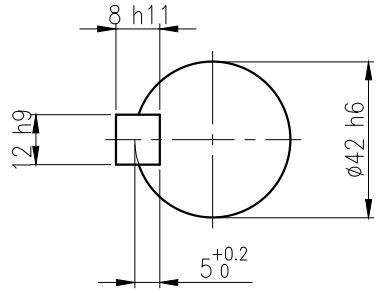
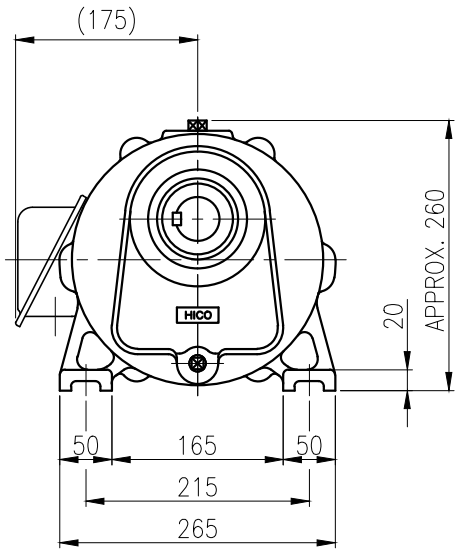
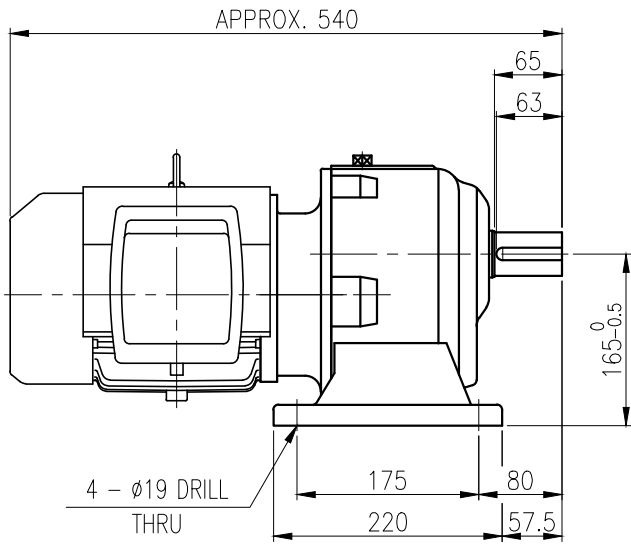


1	2	3	4	5
No.	NAME	MATERIAL	DWG/MATL No.	CODE
				Q'TY
				0
			SIZE	WEIGHT
				REMARK



**OUTPUT SHAFT**

KEY 12 x 8 x 57

		BEARING		
OIL SEAL		INPUT SHAFT	#6204ZZ #6305ZZ	
		2ND PINION	#6302ZZ #6303ZZ	GREASE : NLGI(EP)00
MOTOR SHAFT	D(M) 20x35x8	3RD PINION	#6303ZZ #6305ZZ	ABOUT 0.8 kg
OUTPUT SHAFT	D(M) 45x68x12	OUTPUT SHAFT	#6309ZZ #PM3020	WEIGHT 62 kg

		DWG NAME				외형도 OUTLINE DIMENSION	
		DWG No. <b>EK2DO07108W0001</b>				UNIT	mm
						SCALE	1:1
No.	DATE	DESIGNER		DESIGNED	CHECKED	REVIEWED	APPROVED
		DESCRIPTION of REVISION		2018.10.01	2018.10.01	2018.10.01	2018.10.01
				최성민	문병선	박희성	홍원철
A4(210x297mm)		FORM		DATE		2018-08-15	
CE-14-0100-444		HYOSUNG HEAVY INDUSTRIES		REVISION No.		01	
2013.11.20		TYPE		THIRD ANGLE PROJECTION			
		RPH_90Fr(1.5kW)_75~90:1_N type		REF. No.		(EN246)	
						A	

The information written in this drawing is HYOSUNG HEAVY INDUSTRIES's property, and may not be disclosed and/or reproduced without the prior official permission of HYOSUNG HEAVY INDUSTRIES Corp.

이 도면상에 표시된 정보는 호성중공업(주)의 소유이며 당사의 사전 서면동의 없이 무단사용을 금합니다.