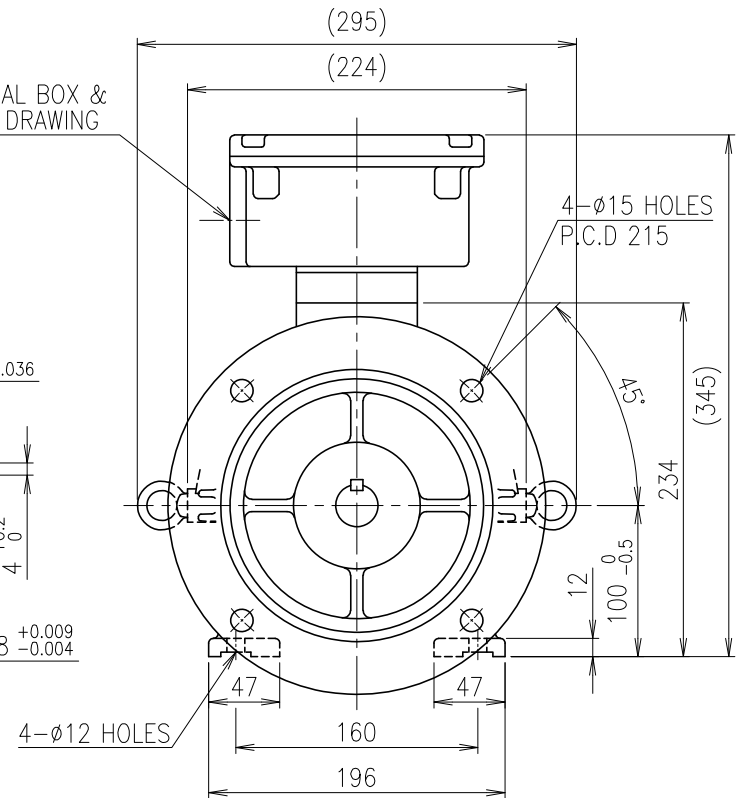


*REF.
TERMINAL BOX &
COVER DRAWING



<NOTE>
1) TOLERANCE OF HOLES CONFORMS TO H14 OF ISO 2768.

		DWG NAME 저압 유도전동기 외형도 OUTLINE DIMENSIONS					
4	20.10.29	Terminal box cover shape changed				DWG No. ES1AS50003	
3	19.09.04	Totally revised				UNIT	mm
No.		DESCRIPTION of REVISION				SCALE	1:5
DATE						DESIGNED	2020-10-29
A4(297x210mm) FORM CE-14-0100-444 2013.11.20		HYOSUNG HEAVY INDUSTRIES				CHECKED	2020-10-29
		TYPE A.C MOTOR 100L				REVIEWED	
		REF. No. -				APPROVED	2020.10.29
						DATE	2020-10-29
						REVISION No.	04
						THIRD ANGLE PROJECTION	
						C	

이 도면상에 표시된 정보는 호성중공업(주)의 소유이며 당사의 사전 서면동의 없이 무단사용을 금합니다.