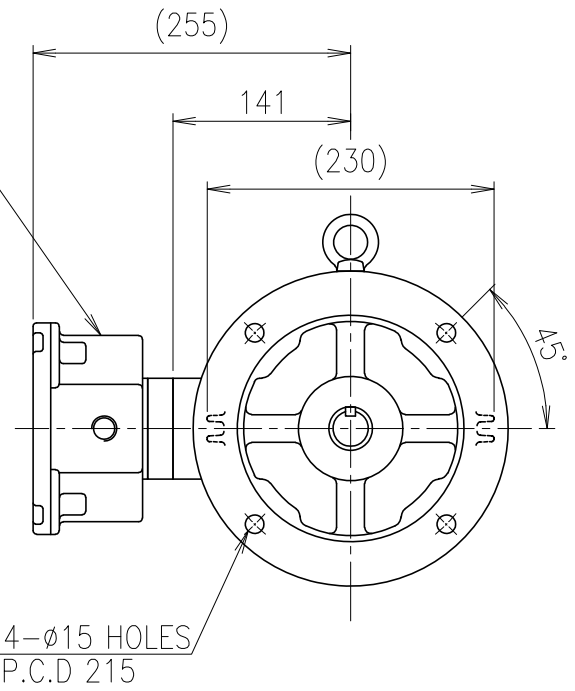


*REF. TERMINAL BOX & COVER DRAWING



<NOTE>
1) TOLERANCE OF HOLES CONFORMS TO H14 OF ISO 2768.

		DWG NAME				저압 유도전동기 외형도 OUTLINE DIMENSIONS					
2	20.10.29	Terminal box cover shape changed				DWG No.		ES1AS43005		UNIT	mm
01	17.10.24	Frame shape changed								SCALE	1:6
No.	DATE	DESCRIPTION of REVISION				DESIGNED	CHECKED	REVIEWED	APPROVED	DATE	2020-10-29
A4(297x210mm) FORM CE-14-0100-444 2013.11.20						2020.10.16 DUCK HYUN OH	2020.10.29 YONG JU PARK		2020.10.29 BYUNG WOOK KO	REVISION No.	02
TYPE						A.C MOTOR 112M				REF. No.	-

이 도면상에 표시된 정보는 호성중공업(주)의 소유이며 당사의 사전 서면동의 없이 무단사용을 금합니다.