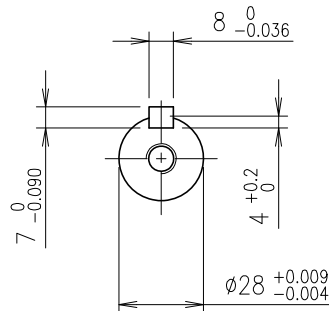
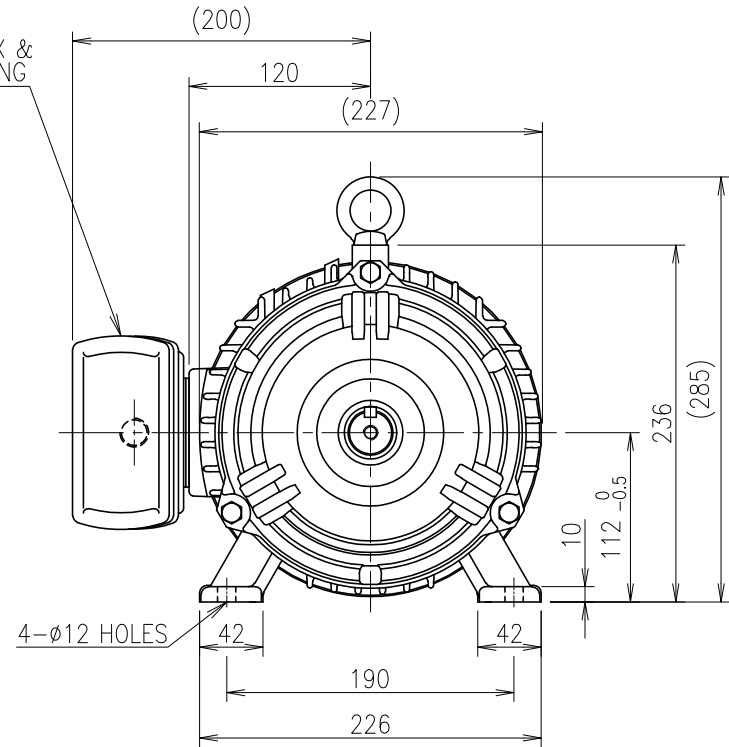


M10 TAP(DEEP 30)



*REF. TERMINAL BOX & COVER DRAWING



<NOTE>

- 1) TOLERANCE OF HOLES CONFORMS TO H14 OF ISO 2768.
- 2) DIMENSIONS AND SHAPE COULD VARY UPON DESIGN CONCEPT (EXCEPT FOR IEC STANDARD).

		DWG NAME				저압 유도전동기 외형도	
						OUTLINE DIMENSIONS	
		DWG No.				UNIT	mm
						SCALE	1:5
No.	DATE	DESCRIPTION of REVISION				DESIGNED	2019-03-20
						CHECKED	2019-04-02
						REVIEWED	
						APPROVED	2019-04-02
						DATE	2019-03-20
						REVISION No.	00
						THIRD ANGLE PROJECTION	
A4(297x210mm) FORM CE-14-0100-444 2013.11.20						REF. No.	-
		TYPE				A.C MOTOR 112M	
						(C)	