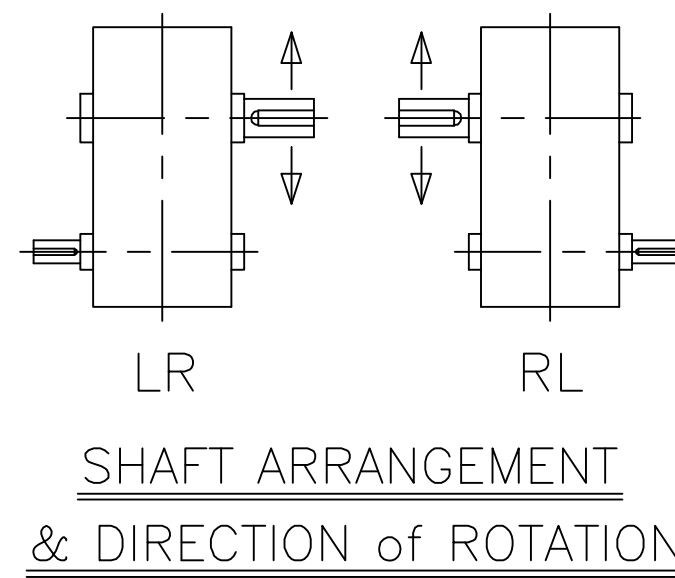
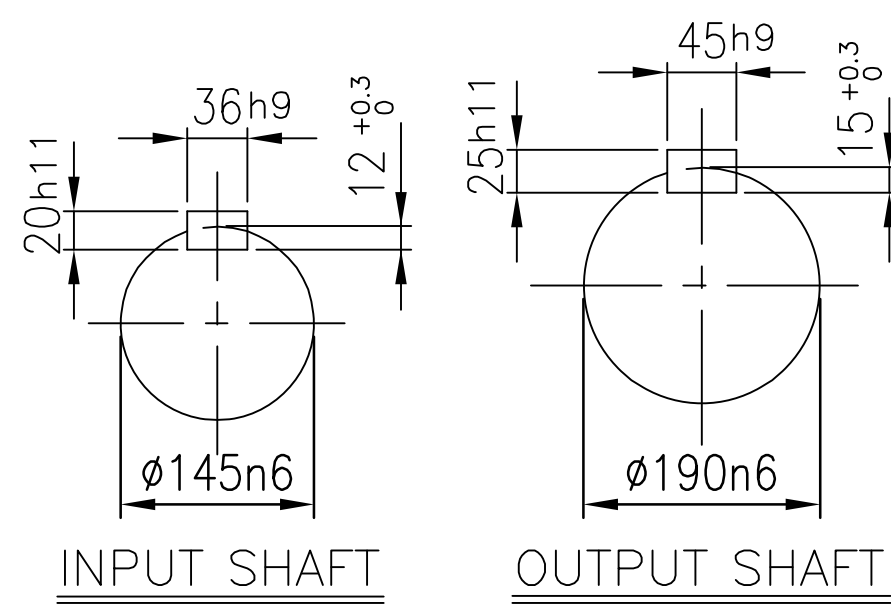
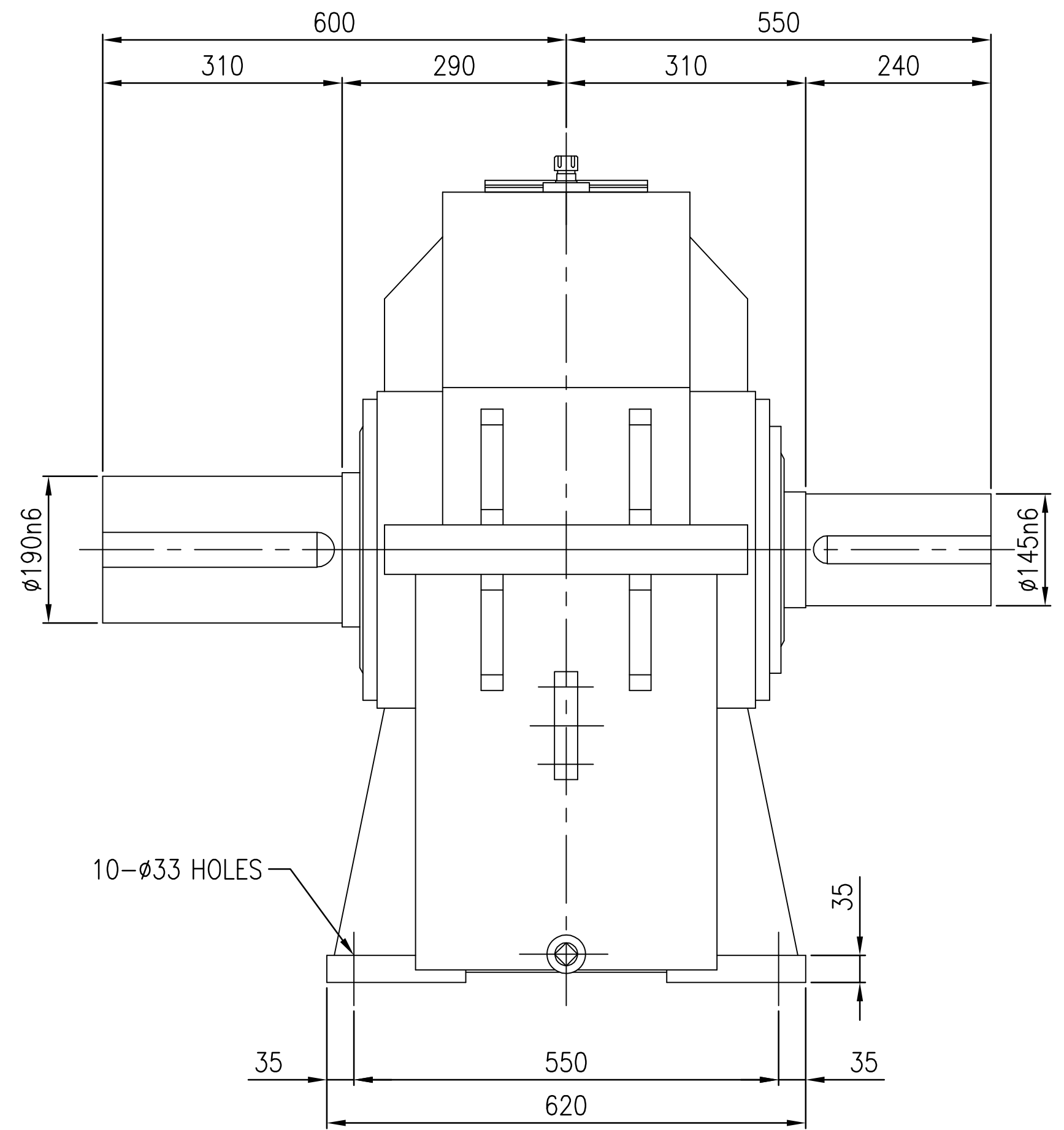
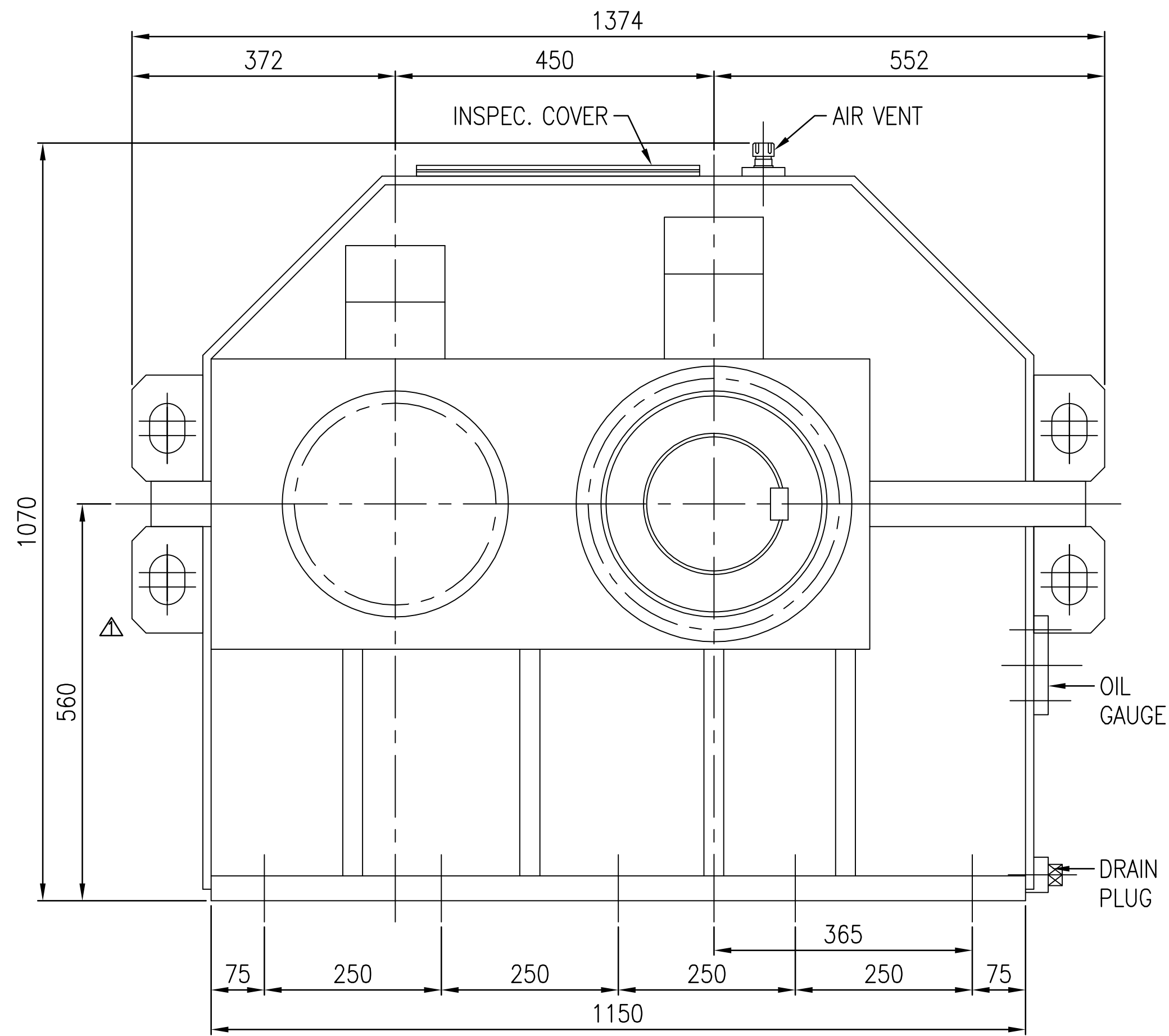


No.	NAME	MATERIAL	DWG/MATL No.	CODE	Q'TY	SIZE	WEIGHT	REMARK
-----	------	----------	--------------	------	------	------	--------	--------



DWG NAME		기어박스 외형도 DIMENSION				
2013.09.26	CHANGED LIFTING LUG	DWG No.	EK1DO00081		UNIT	mm
No.	DATE	DESIGNED	CHECKED	REVIEWED	APPROVED	DATE
1	2013.10.24	박선향	2013.10.24	서성민	2013.10.24	2013-09-26
FORM		HYOSUNG		REVISION NO.	01	
ITEM		SHA45 (i=2~2.8)		PROJECTION	A	
REF. NO.				DSKEN522		